

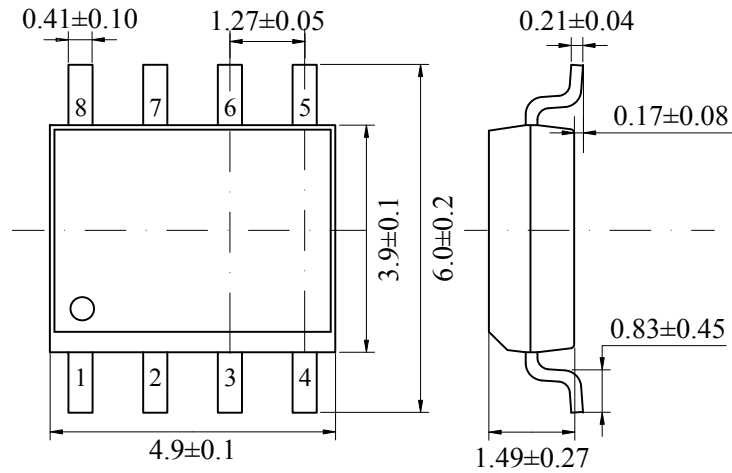
Package, Reel, Taping

(MOSFET)

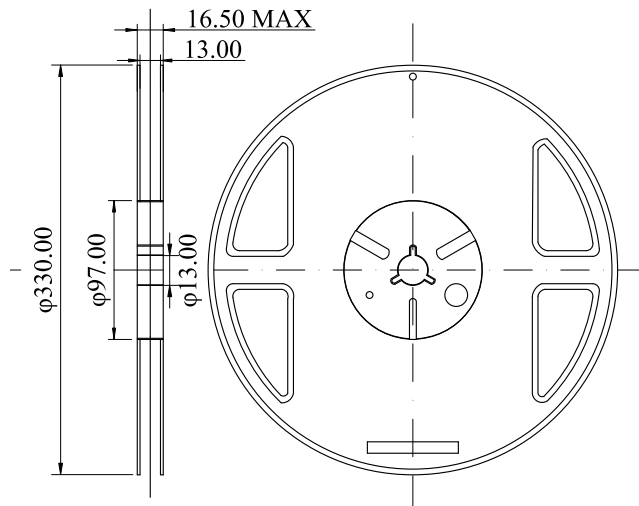
SOP-8 (3,000 or 2,500pcs/reel)

Unit : mm

• Package



• Reel



• Taping

