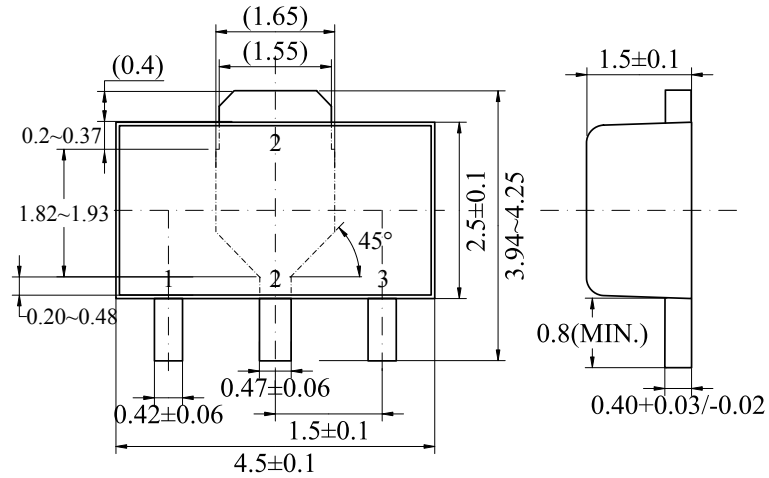


# Package, Reel, Taping

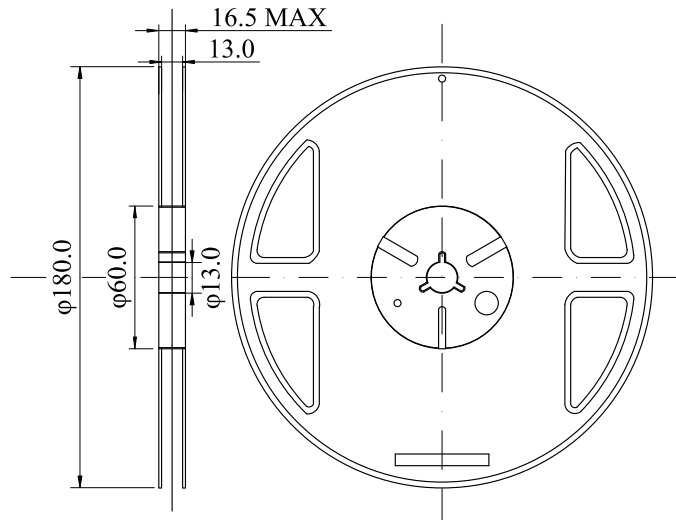
## SOT-89 (1,000pcs/reel)

### • Package

Unit : mm



### • Reel



### • Taping

