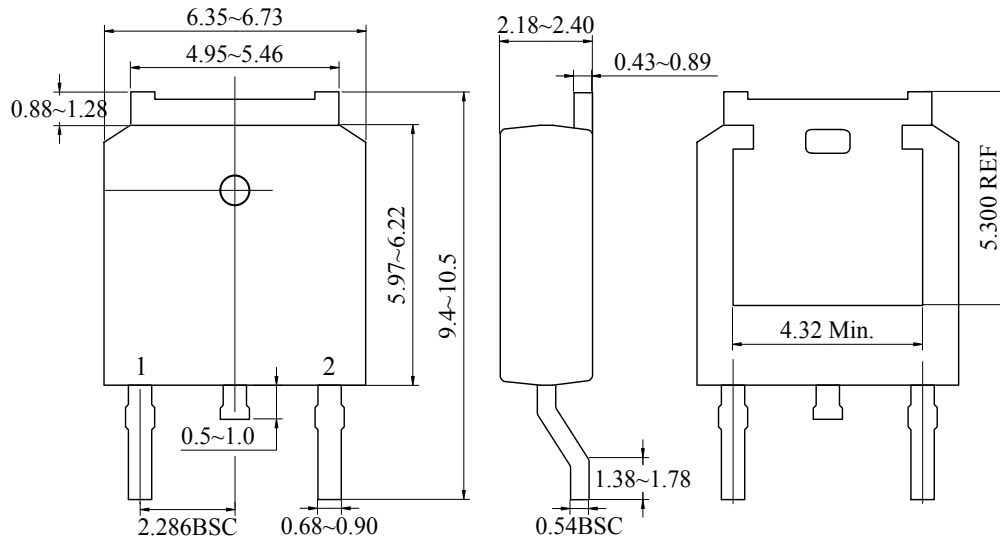


# Package, Reel, Taping

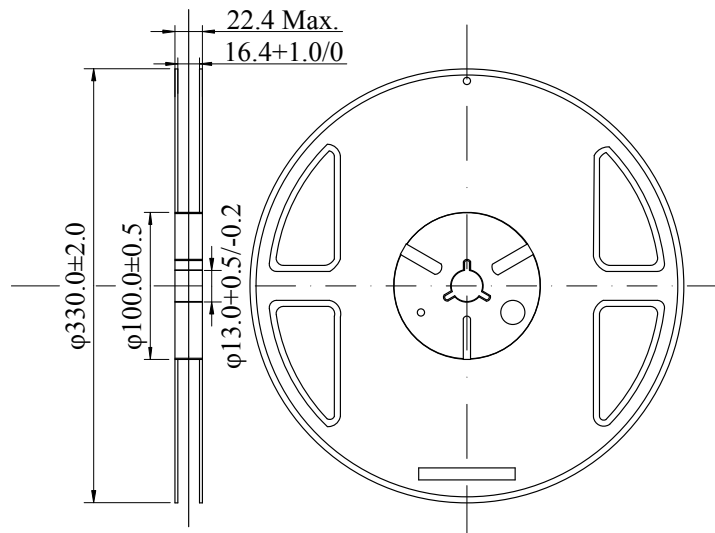
## TO-252 (2,500pcs/reel)

### • Package

Unit : mm



### • Reel



### • Taping

