



# **GD25B256D**

# **DATASHEET**



**Contents**

**1. FEATURES .....4**

**2. GENERAL DESCRIPTION .....5**

**3. MEMORY ORGANIZATION .....8**

**4. DEVICE OPERATION .....9**

**5. DATA PROTECTION .....10**

**6. STATUS AND EXTENDED ADDRESS REGISTERS ..... 11**

6.1. STATUS REGISTERS ..... 11

6.2. EXTENDED ADDRESS REGISTER ..... 15

**7. COMMANDS DESCRIPTION ..... 16**

7.1. WRITE ENABLE (WREN) (06H) .....21

7.2. WRITE DISABLE (WRDI) (04H).....21

7.3. WRITE ENABLE FOR VOLATILE STATUS REGISTER (50H) .....21

7.4. READ STATUS REGISTER (RDSR) (05H OR 35H OR 15H) .....22

7.5. WRITE STATUS REGISTER (WRSR) (01H OR 31H OR 11H).....22

7.6. READ EXTENDED REGISTER (C8H).....23

7.7. WRITE EXTENDED REGISTER (C5H) .....23

7.8. READ DATA BYTES (READ 03H OR 4READ 13H) .....24

7.9. READ DATA BYTES AT HIGHER SPEED (FAST READ 0BH OR 4FAST READ 0CH).....25

7.10. DUAL OUTPUT FAST READ (DOFR 3BH OR 4DOFR 3CH).....27

7.11. QUAD OUTPUT FAST READ (QOFR 6BH OR 4QOFR 6CH).....29

7.12. DUAL I/O FAST READ (DIOFR BBH OR 4DIOFR BCH).....31

7.13. QUAD I/O FAST READ (QIOFR EBH OR 4QIOFR ECH).....35

7.14. SET BURST WITH WRAP (77H) .....38

7.15. PAGE PROGRAM (PP 02H OR 4PP 12H) .....39

7.16. QUAD PAGE PROGRAM (QPP 32H OR 4QPP 34H) .....41

7.17. SECTOR ERASE (SE 20H OR 4SE 21H).....43

7.18. 32KB BLOCK ERASE (BE32 52H OR 4BE32 5CH) .....44

7.19. 64KB BLOCK ERASE (BE64 D8H OR 4BE64 DCH) .....45

7.20. CHIP ERASE (CE) (60/C7H).....46

7.21. DEEP POWER-DOWN (DP) (B9H) .....47

7.22. READ UNIQUE ID (4BH) .....48

7.23. ENTER 4-BYTE ADDRESS MODE (B7H).....49

7.24. EXIT 4-BYTE ADDRESS MODE (E9H) .....49

7.25. CLEAR SR FLAGS (30H) .....50

7.26. RELEASE FROM DEEP POWER-DOWN AND READ DEVICE ID (RDI) (ABH) .....50

7.27. READ MANUFACTURE ID/ DEVICE ID (REMS) (90H) .....51

7.28. READ MANUFACTURE ID/ DEVICE ID DUAL I/O (92H) .....52

7.29. READ MANUFACTURE ID/ DEVICE ID QUAD I/O (94H).....53

7.30. READ IDENTIFICATION (RDID) (9FH) .....53



## 3.3V Uniform Sector

### GigaDevice Dual and Quad Serial Flash

GD25B256D

|            |   |           |
|------------|---|-----------|
| 7.31.      | PROGRAM/ERASE SUSPEND (PES) (75H).....              | 54        |
| 7.32.      | PROGRAM/ERASE RESUME (PER) (7AH).....               | 56        |
| 7.33.      | ERASE SECURITY REGISTERS (44H).....                 | 56        |
| 7.34.      | PROGRAM SECURITY REGISTERS (42H).....               | 57        |
| 7.35.      | READ SECURITY REGISTERS (48H).....                  | 59        |
| 7.36.      | ENABLE RESET (66H) AND RESET (99H) .....            | 60        |
| 7.37.      | READ SERIAL FLASH DISCOVERABLE PARAMETER (5AH)..... | 61        |
| <b>8.</b>  | <b>ELECTRICAL CHARACTERISTICS .....</b>             | <b>71</b> |
| 8.1.       | POWER-ON TIMING .....                               | 71        |
| 8.2.       | INITIAL DELIVERY STATE.....                         | 71        |
| 8.3.       | ABSOLUTE MAXIMUM RATINGS .....                      | 71        |
| 8.4.       | CAPACITANCE MEASUREMENT CONDITIONS.....             | 72        |
| 8.5.       | DC CHARACTERISTICS.....                             | 73        |
| 8.6.       | AC CHARACTERISTICS .....                            | 74        |
| <b>9.</b>  | <b>ORDERING INFORMATION.....</b>                    | <b>76</b> |
| 9.1.       | VALID PART NUMBERS .....                            | 77        |
| <b>10.</b> | <b>PACKAGE INFORMATION.....</b>                     | <b>78</b> |
| 10.1.      | PACKAGE SOP16 300MIL .....                          | 78        |
| 10.2.      | PACKAGE WSON8 (8*6MM).....                          | 79        |
| 10.3.      | PACKAGE TFBGA-24BALL (5*5 BALL ARRAY).....          | 80        |
| <b>11.</b> | <b>REVISION HISTORY.....</b>                        | <b>81</b> |



## 1. FEATURES

- ♦ 256M-bit Serial Flash
  - 256 Bytes per programmable page
- ♦ Standard, Dual, Quad SPI
  - Standard SPI: SCLK, CS#, SI, SO
  - Dual SPI: SCLK, CS#, IO0, IO1
  - Quad SPI: SCLK, CS#, IO0, IO1, IO2, IO3
  - 3 or 4-Byte Addressing Mode
- ♦ High Speed Clock Frequency
  - Maximum 104MHz for fast read on 3.0 - 3.6V power supply
    - ♦ Dual I/O Data transfer up to 208Mbits/s
    - ♦ Quad I/O Data transfer up to 416Mbits/s
  - Maximum 80MHz for fast read on 2.7 - 3.6V power supply
    - ♦ Dual I/O Data transfer up to 160Mbits/s
    - ♦ Quad I/O Data transfer up to 320Mbits/s
- ♦ Software Write Protection
  - Write protect all/portion of memory via software
  - Top/Bottom Block protection
- ♦ Allows XIP(execute in place)operation
  - Continuous Read With 8/16/32/64-Byte Wrap
- ♦ Cycling Endurance and Data Retention
  - Minimum 100,000 Program/Erase Cycles
  - 20-year data retention typical
- ♦ Fast Program/Erase Speed
  - Page Program time: 0.4ms typical
  - Sector Erase time: 70ms typical
  - Block Erase time: 0.16/0.22s typical
  - Chip Erase time: 70s typical
- ♦ Flexible Architecture
  - Uniform Sectors of 4K-Byte
  - Uniform Blocks of 32/64K-Byte
- ♦ Low Power Consumption
  - 1uA typical deep power down current
  - 12uA typical standby current
- ♦ Advanced Security Features
  - 3\*2048-Byte Security Registers With OTP Locks
  - 128-bit Unique ID
  - Serial Flash Discoverable parameters (SFDP) register
- ♦ Single Power Supply Voltage
  - Full voltage range: 2.7 - 3.6V
- ♦ Package Information
  - SOP16 (300mil)
  - WSON8 (8\*6mm)
  - TFBGA-24 (5\*5 ball array)

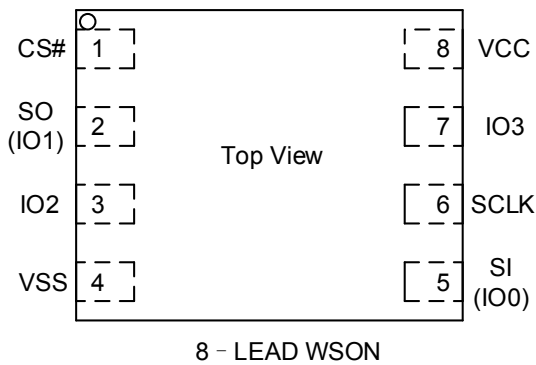
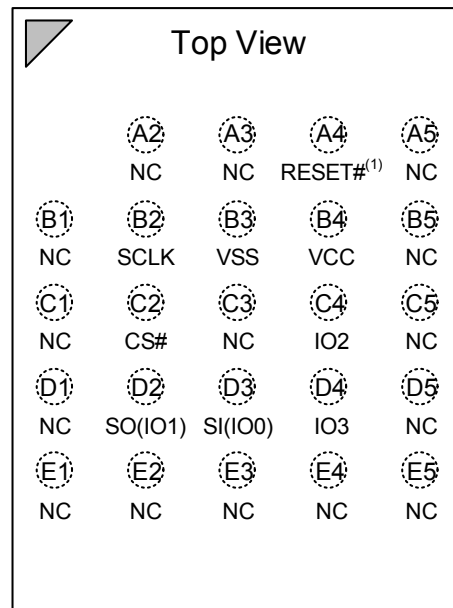
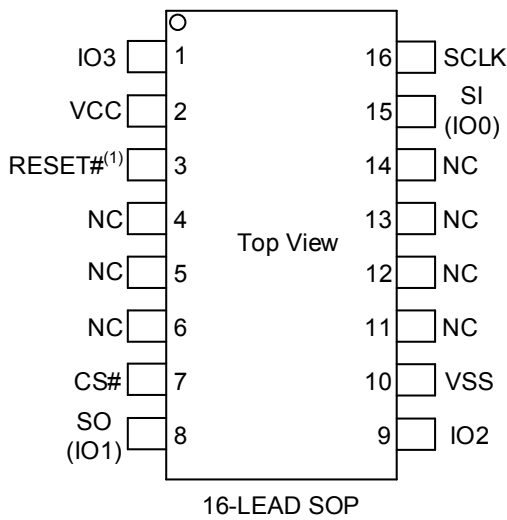


**2. GENERAL DESCRIPTION**

The GD25B256D (256M-bit) Serial flash supports the standard Serial Peripheral Interface (SPI), and supports the Dual/Quad SPI: Serial Clock, Chip Select, Serial Data I/O0 (SI), I/O1 (SO), I/O2, and I/O3 . The Dual I/O data is transferred with speed of 208Mbits/s and the Quad I/O & Quad output data is transferred with speed of 416Mbits/s.

**CONNECTION DIAGRAM**

**Figure 1 Connection Diagram**



Note:

1. Only for special order, Pin 3 of 16-LEAD SOP package or Pin A4 of 24-BALL TFBGA (5x5 ball array) package is RESET# pin. Please contact GigaDevice for detail.
2. CS# must be driven high if chip is not selected. Please don't leave CS# floating any time after power is on.



**PIN DESCRIPTION**

**Table 1. Pin Description for SOP16 package**

| Pin No. | Pin Name | I/O | Description                       |
|---------|----------|-----|-----------------------------------|
| 1       | IO3      | I/O | Data Input Output 3               |
| 2       | VCC      |     | Power Supply                      |
| 7       | CS#      | I   | Chip Select Input                 |
| 8       | SO (IO1) | I/O | Data Output (Data Input Output 1) |
| 9       | IO2      | I/O | Data Input Output 2               |
| 10      | VSS      |     | Ground                            |
| 15      | SI (IO0) | I/O | Data Input (Data Input Output 0)  |
| 16      | SCLK     | I   | Serial Clock Input                |

**Table 2 Pin Description for TFBGA24 5\*5package**

| Pin No. | Pin Name | I/O | Description                       |
|---------|----------|-----|-----------------------------------|
| B2      | SCLK     | I   | Serial Clock Input                |
| B3      | VSS      |     | Ground                            |
| B4      | VCC      |     | Power Supply                      |
| C2      | CS#      | I   | Chip Select Input                 |
| C4      | IO2      | I/O | Data Input Output 2               |
| D2      | SO (IO1) | I/O | Data Output (Data Input Output 1) |
| D3      | SI (IO0) | I/O | Data Input (Data Input Output 0)  |
| D4      | IO3      | I/O | Data Input Output 3               |

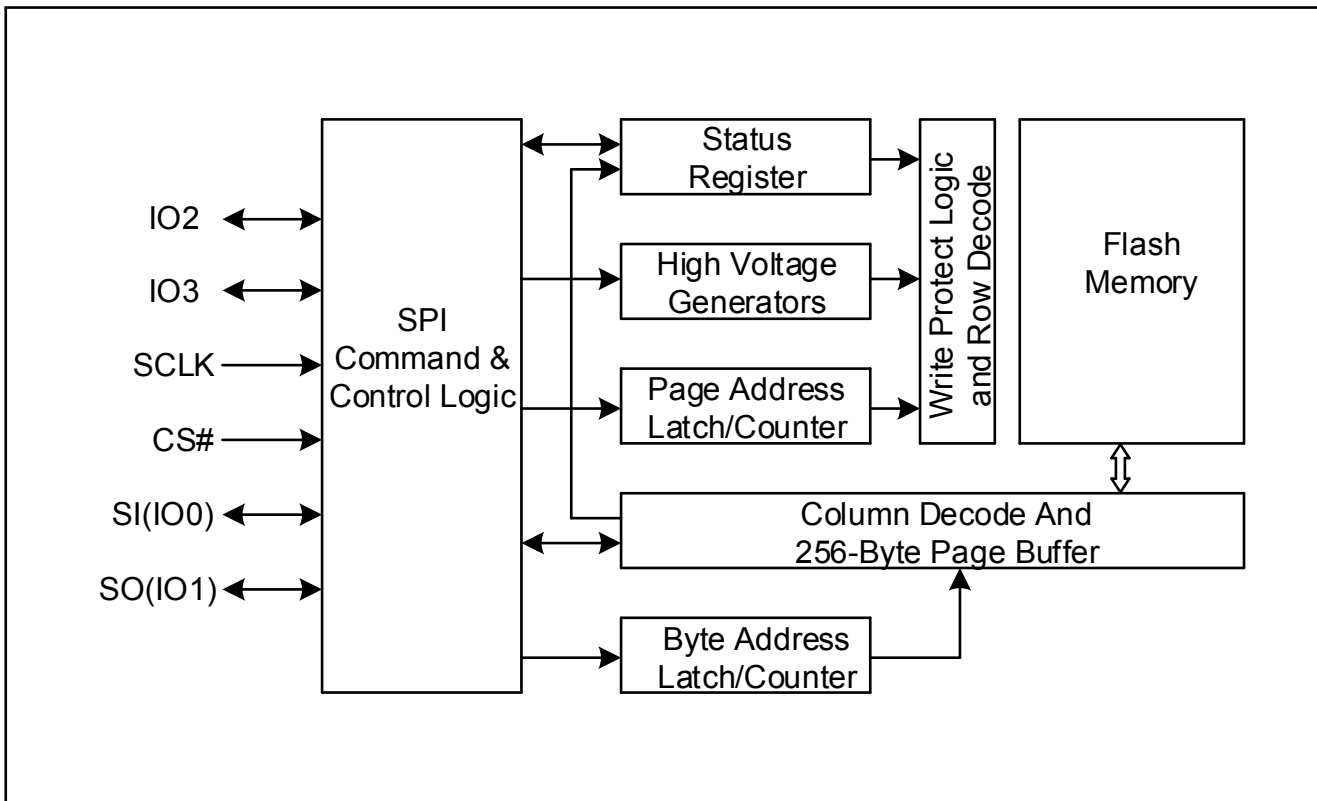
**Table 3 Pin Description for WSON8 package**

| Pin No. | Pin Name | I/O | Description                       |
|---------|----------|-----|-----------------------------------|
| 1       | CS#      | I   | Chip Select Input                 |
| 2       | SO (IO1) | I/O | Data Output (Data Input Output 1) |
| 3       | IO2      | I/O | Data Input Output 2               |
| 4       | VSS      |     | Ground                            |
| 5       | SI (IO0) | I/O | Data Input (Data Input Output 0)  |
| 6       | SCLK     | I   | Serial Clock Input                |
| 7       | IO3      | I/O | Data Input Output 3               |
| 8       | VCC      |     | Power Supply                      |



BLOCK DIAGRAM

Figure 2 Block Diagram





**3. MEMORY ORGANIZATION**

**GD25B256D**

**Table 4 GD25B256D Memory Organization**

| Each device has | Each block has | Each sector has | Each page has |         |
|-----------------|----------------|-----------------|---------------|---------|
| 32M             | 64/32K         | 4K              | 256           | Bytes   |
| 128K            | 256/128        | 16              | -             | pages   |
| 8192            | 16/8           | -               | -             | sectors |
| 512/1024        | -              | -               | -             | blocks  |

**UNIFORM BLOCK SECTOR ARCHITECTURE**

**GD25B256D**

**Table 5 GD25B256D 64K Bytes Block Sector Architecture**

| Block | Sector | Address Range |            |
|-------|--------|---------------|------------|
| 511   | 8191   | 01FF F000H    | 01FF FFFFH |
|       | .....  | .....         | .....      |
|       | 8176   | 01FF 0000H    | 01FF 0FFFH |
| 510   | 8175   | 01FE F000H    | 01FE FFFFH |
|       | .....  | .....         | .....      |
|       | 8160   | 01FE 0000H    | 01FE 0FFFH |
| 509   | 8159   | 01FD F000H    | 01FD FFFFH |
|       | .....  | .....         | .....      |
|       | 8144   | 01FD 0000H    | 01FD 0FFFH |
| ..... | .....  | .....         | .....      |
|       | .....  | .....         | .....      |
|       | .....  | .....         | .....      |
| ..... | .....  | .....         | .....      |
|       | .....  | .....         | .....      |
|       | .....  | .....         | .....      |
| 2     | 47     | 0002 F000H    | 0002 FFFFH |
|       | .....  | .....         | .....      |
|       | 32     | 0002 0000H    | 0002 0FFFH |
| 1     | 31     | 0001 F000H    | 0001 FFFFH |
|       | .....  | .....         | .....      |
|       | 16     | 0001 0000H    | 0001 0FFFH |
| 0     | 15     | 0000 F000H    | 0000 FFFFH |
|       | .....  | .....         | .....      |
|       | 0      | 0000 0000H    | 0000 0FFFH |





## **4. DEVICE OPERATION**

### **SPI Mode**

#### **Standard SPI**

The GD25B256D features a serial peripheral interface on 4 signals bus: Serial Clock (SCLK), Chip Select (CS#), Serial Data Input (SI) and Serial Data Output (SO). Both SPI bus mode 0 and 3 are supported. Input data is latched on the rising edge of SCLK and data shifts out on the falling edge of SCLK.

#### **Dual SPI**

The GD25B256D supports Dual SPI operation when using the “Dual Output Fast Read”, “Dual Output Fast Read with 4-Byte address”, “Dual I/O Fast Read” and “Dual I/O Fast Read with 4-Byte address” commands (3BH 3CH BBH and BCH). These commands allow data to be transferred to or from the device at twice the rate of the standard SPI. When using the Dual SPI command the SI and SO pins become bidirectional I/O pins: IO0 and IO1.

#### **Quad SPI**

The GD25B256D supports Quad SPI operation when using the “Quad Output Fast Read”, “Quad Output Fast Read with 4-Byte address”, “Quad I/O Fast Read”, “Quad I/O Fast Read with 4-Byte address” (6BH, 6CH, EBH and ECH) commands. These commands allow data to be transferred to or from the device at four times the rate of the standard SPI. When using the Quad SPI command the SI and SO pins become bidirectional I/O pins: IO0 and IO1, in addition to IO2 and IO3 pins. For GD25B256D, QE bit is set to 1 as default and cannot be changed.



## 5. DATA PROTECTION

The GD25B256D provides the following data protection methods:

- ◆ Write Enable (WREN) command: The WREN command is set the Write Enable Latch bit (WEL). The WEL bit will return to reset by the following situation:
  - Power-Up/Software Reset (66H+99H)
  - Write Disable (WRDI)
  - Write Status Register (WRSR)
  - Page Program (PP)
  - Quad Page Program (QPP)
  - Sector Erase (SE) / Block Erase (BE) / Chip Erase (CE)
- ◆ Software Protection Mode:
  - The Block Protect (BP3, BP2, BP1, and BP0) bits and Top Bottom (TB) bit define the section of the memory array that can be read but cannot be change.
- ◆ Deep Power-Down Mode: In Deep Power-Down Mode, all commands are ignored except the Release from Deep Power-Down Mode command and software reset (66H+99H).

**Table 6. GD25B256D Protected area size**

| Status Register Content |     |     |     |     | Memory Content |                      |         |             |
|-------------------------|-----|-----|-----|-----|----------------|----------------------|---------|-------------|
| TB                      | BP3 | BP2 | BP1 | BP0 | Blocks         | Addresses            | Density | Portion     |
| X                       | 0   | 0   | 0   | 0   | NONE           | NONE                 | NONE    | NONE        |
| 0                       | 0   | 0   | 0   | 1   | 511            | 01FF0000h-01FFFFFFh  | 64KB    | Upper 1/512 |
| 0                       | 0   | 0   | 1   | 0   | 510 to 511     | 01FE0000h-01FFFFFFh  | 128KB   | Upper 1/256 |
| 0                       | 0   | 0   | 1   | 1   | 508 to 511     | 01FC0000h-01FFFFFFh  | 256KB   | Upper 1/128 |
| 0                       | 0   | 1   | 0   | 0   | 504 to 511     | 01F80000h-01FFFFFFh  | 512KB   | Upper 1/64  |
| 0                       | 0   | 1   | 0   | 1   | 496 to 511     | 01F00000h-01FFFFFFh  | 1MB     | Upper 1/32  |
| 0                       | 0   | 1   | 1   | 0   | 480 to 511     | 01E00000h-01FFFFFFh  | 2MB     | Upper 1/16  |
| 0                       | 0   | 1   | 1   | 1   | 448 to 511     | 01C00000h-01FFFFFFh  | 4MB     | Upper 1/8   |
| 0                       | 1   | 0   | 0   | 0   | 384 to 511     | 01800000h-01FFFFFFh  | 8MB     | Upper 1/4   |
| 0                       | 1   | 0   | 0   | 1   | 256 to 511     | 01000000h-01FFFFFFh  | 16MB    | Upper 1/2   |
| 1                       | 0   | 0   | 0   | 1   | 0              | 00000000h-0000FFFFh  | 64KB    | Lower 1/512 |
| 1                       | 0   | 0   | 1   | 0   | 0 to 1         | 00000000h-0001FFFFh  | 128KB   | Lower 1/256 |
| 1                       | 0   | 0   | 1   | 1   | 0 to 3         | 00000000h-0003FFFFh  | 256KB   | Lower 1/128 |
| 1                       | 0   | 1   | 0   | 0   | 0 to 7         | 00000000h-0007FFFFh  | 512KB   | Lower 1/64  |
| 1                       | 0   | 1   | 0   | 1   | 0 to 15        | 00000000h-000FFFFFFh | 1MB     | Lower 1/32  |
| 1                       | 0   | 1   | 1   | 0   | 0 to 31        | 00000000h-001FFFFFFh | 2MB     | Lower 1/16  |
| 1                       | 0   | 1   | 1   | 1   | 0 to 63        | 00000000h-003FFFFFFh | 4MB     | Lower 1/8   |
| 1                       | 1   | 0   | 0   | 0   | 0 to 127       | 00000000h-007FFFFFFh | 8MB     | Lower 1/4   |
| 1                       | 1   | 0   | 0   | 1   | 0 to 255       | 00000000h-00FFFFFFh  | 16MB    | Lower 1/2   |
| X                       | 1   | 1   | 0   | X   | ALL            | 00000000h-01FFFFFFh  | 32MB    | ALL         |
| X                       | 1   | X   | 1   | X   | ALL            | 00000000h-01FFFFFFh  | 32MB    | ALL         |



## 6. REGISTERS

### 6.1. Status Registers

**Table 7 Status Register-1**

| No. | Bit Name | Description                    | Note                  |
|-----|----------|--------------------------------|-----------------------|
| S0  | WIP      | Erase/Write In Progress        | Volatile, read only   |
| S1  | WEL      | Write Enable Latch             | Volatile, read only   |
| S2  | BP0      | Block Protect Bit              | Non-volatile writable |
| S3  | BP1      | Block Protect Bit              | Non-volatile writable |
| S4  | BP2      | Block Protect Bit              | Non-volatile writable |
| S5  | BP3      | Block Protect Bit              | Non-volatile writable |
| S6  | TB       | Top/Bottom Protect Bit         | Non-volatile writable |
| S7  | SRP0     | Status Register Protection Bit | Non-volatile writable |

**Table 8 Status Register-2**

| No. | Bit Name | Description                    | Note                        |
|-----|----------|--------------------------------|-----------------------------|
| S8  | ADS      | Current Address Mode           | Volatile, read only         |
| S9  | QE       | Quad Enable                    | QE=1 permanently            |
| S10 | SUS2     | Program Suspend                | Volatile, read only         |
| S11 | LB1      | Security Register Lock Bit     | Non-volatile writable (OTP) |
| S12 | LB2      | Security Register Lock Bit     | Non-volatile writable (OTP) |
| S13 | LB3      | Security Register Lock Bit     | Non-volatile writable (OTP) |
| S14 | SRP1     | Status Register Protection Bit | Non-volatile writable       |
| S15 | SUS1     | Erase Suspend                  | Volatile, read only         |

**Table 9 Status Register-3**

| No. | Bit Name | Description            | Note                  |
|-----|----------|------------------------|-----------------------|
| S16 | Reserved | Reserved               | Reserved              |
| S17 | Reserved | Reserved               | Reserved              |
| S18 | PE       | Program Error bit      | Volatile, read only   |
| S19 | EE       | Erase Error bit        | Volatile, read only   |
| S20 | ADP      | Power Up Address Mode  | Non-volatile writable |
| S21 | DRV0     | Output Driver Strength | Non-volatile writable |
| S22 | DRV1     | Output Driver Strength | Non-volatile writable |
| S23 | Reserved | Reserved               | Reserved              |

The status and control bits of the Status Register are as follows:

#### WIP bit

The Write in Progress (WIP) bit indicates whether the memory is busy in program/erase/write status register progress. When WIP bit sets to 1, means the device is busy in program/erase/write status register progress, when WIP bit sets 0, means the device is not in program/erase/write status register progress.



**WEL bit**

The Write Enable Latch (WEL) bit indicates the status of the internal Write Enable Latch. When set to 1 the internal Write Enable Latch is set, when set to 0 the internal Write Enable Latch is reset and no Write Status Register, Program or Erase command is accepted.

**TB bit**

The Top Bottom (TB) bit is non-volatile (OTP). The Top/Bottom (TB) bit is used to configure the Block Protect area by BP bit (BP3, BP2, BP1, and BP0), starting from Top or Bottom of the memory array. The TB bit is defaulted as “0”, which means Top area protect. When it is set to “1”, the protect area will change to Bottom area of the memory device. This bit is written with the Write Status Register (WRSR) command.

**BP3, BP2, BP1, BP0 bits**

The Block Protection (BP3, BP2, BP1, and BP0) bits are non-volatile. They define the size of the area to be software protected against Program and Erase commands. These bits are written with the Write Status Register (WRSR) command. When the Block Protect (BP3, BP2, BP1, and BP0) bits are set to 1, the relevant memory area becomes protected against Page Program (PP), Sector Erase (SE) and Block Erase (BE) commands. The Chip Erase (CE) command is executed, only if the Block Protect (BP3, BP2, BP1, and BP0) bits are 0.

**SRP1, SRP0 bit**

The Status Register Protect (SRP1 and SRP0) bits are non-volatile Read/Write bits in the status register. The SRP bits control the method of the write protection: software protected, power supply lock-down or one time programmable.

**Table 10 Status Register Protect (SRP) bit**

| SRP1 | SRP0 | Status Register                           | Description   |
|------|------|---|---|
| 0    | 0    | Software Protected                        | The Status Register can be written to after a Write Enable command, WEL=1.(Default)                   |
| 1    | 0    | Power Supply Lock-Down <sup>(1) (2)</sup> | Status Register is protected and cannot be written to again until the next Power-Down, Power-Up cycle |
| 1    | 1    | One Time Program <sup>(2)</sup>           | Status Register is permanently protected and cannot be written to.                                    |

NOTE:

1. When SRP1, SRP0 = (1, 0), a Power-Down, Power-Up cycle will change SRP1, SRP0 to (0, 0) state.
2. This feature is available on special order. Please contact GigaDevice for details.

**QE bit**

The Quad Enable (QE) bit is a non-volatile bit in the Status Register that allows Quad operation. The default value of QE bit is 1 and it cannot be changed, so that the IO2 and IO3 pins are enabled all the time.

**LB3, LB2, LB1 bits.**

The LB3, LB2, LB1 bits are non-volatile One Time Program (OTP) bits in Status Register (S11, S12, S13) that provide the write protect control and status to the Security Registers. The default state of LB3-LB1 are 0, the security registers are unlocked. The LB3-LB1 bits can be set to 1 individually using the Write Register instruction. The LB3-LB1 bits are One Time Programmable, once they are set to 1, the Security Registers will become read-only permanently.

**SUS1, SUS2 bit**

The SUS1 and SUS2 bits are read only bit in the status register (S15 and S10) that are set to 1 after executing an



Program/Erase Suspend (75H) command (The Erase Suspend will set the SUS1 to 1, and the Program Suspend will set the SUS2 to 1). The SUS1 and SUS2 bits are cleared to 0 by Program/Erase Resume (7AH) command, software reset (66H+99H) command as well as a power-down, power-up cycle.

**PE bit**

The Program Error (PE) bit is a read only bit that indicates a program failure. It will also be set when the user attempts to program a protected array sector or access the locked OTP space.

Error bits can be reset by CLEAR FLAG STATUS REGISTER command (30H).

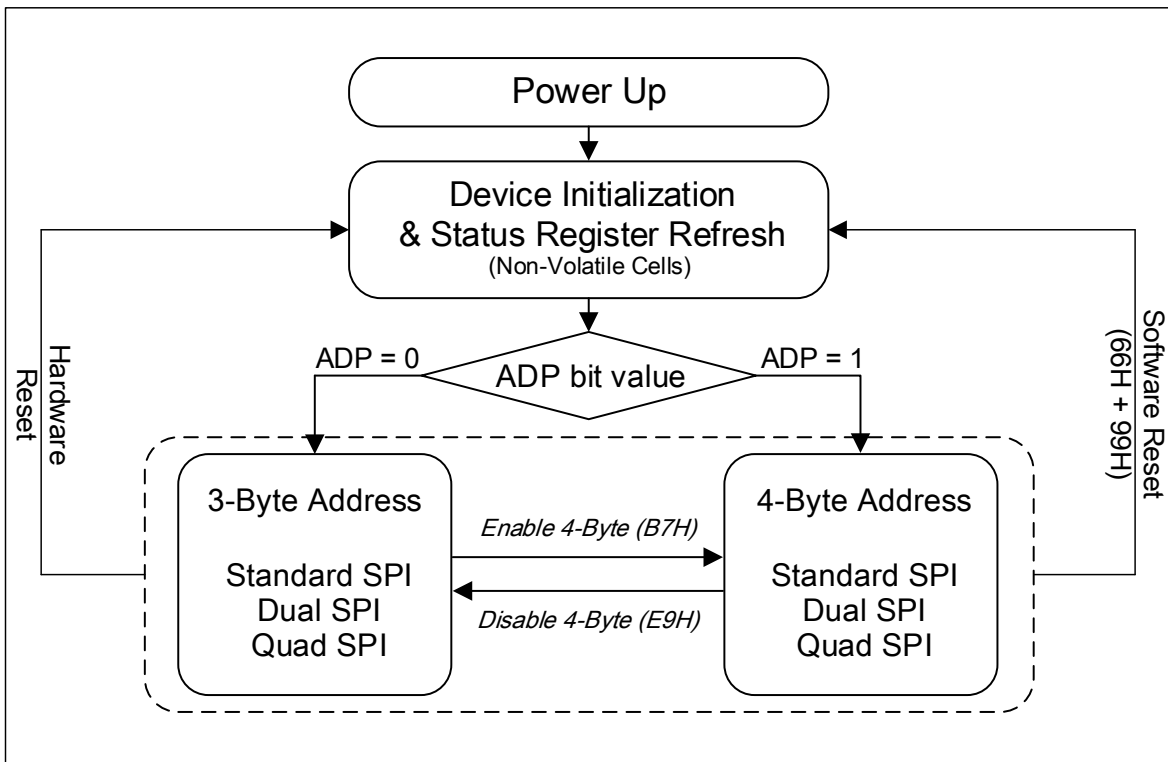
**EE bit**

The Erase Error (EE) bit is a read only bit that indicates an erase failure. It will also be set when the user attempts to erase a protected array sector or access the locked OTP space.

Error bits can be reset by CLEAR FLAG STATUS REGISTER command (30H).

**ADP bit**

The Address Power-up (ADP) bit is a non-volatile writable bit that determines the initial address mode when the device is powered on or reset. This bit is only used during the power on or device reset initialization period. When ADP=0(factory default), the device will power up into 3-Byte address mode, the Extended Address Register must be used to access memory regions beyond 128Mb. When ADP=1, the device will power up into 4-Byte address mode directly.



**ADS bit**

The Address Status (ADS) bit is a read only bit that indicates the current address mode the device is operating in. The device is in 3-Byte address mode when ADS=0 (default), and in 4-Byte address mode when ADS=1.

**Reserved bit**

It is recommended to set the value of the reserved bit as "0".



**DRV1, DRV0 bits**

The DRV1&DRV0 bits are used to determine the output driver strength for the Read operations.

**Table 11 Driver Strength for Read Operations**

| <b>DRV1,DRV0</b> | <b>Driver Strength</b> |
|------------------|------------------------|
| 00               | 100%                   |
| 01               | 75% (Default)          |
| 10               | Reserved               |
| 11               | Reserved               |



**6.2. Extended Address Register**

**Table 12 Extended Address Register**

| No. | Name     | Description | Note              |
|-----|----------|-------------|-------------------|
| EA0 | A24      | Address bit | Volatile writable |
| EA1 | Reserved | Reserved    | Reserved          |
| EA2 | Reserved | Reserved    | Reserved          |
| EA3 | Reserved | Reserved    | Reserved          |
| EA4 | Reserved | Reserved    | Reserved          |
| EA5 | Reserved | Reserved    | Reserved          |
| EA6 | Reserved | Reserved    | Reserved          |
| EA7 | Reserved | Reserved    | Reserved          |

The extended address register is only used when the address mode is 3-Byte mode, as to set the higher address. A24=1 indicates the upper 128Mb memory address, A24=0 indicates the lower 128Mb. EA1~EA7 are reserved.

**A24 bit**

The Extended Address Bit A24 is used only when the device is operating in the 3-Byte Address Mode (ADS=0), which is volatile writable by C5H command. The lower 128Mb memory array (00000000h – 00FFFFFFh) is selected when A24=0, and all instructions with 3-Byte addresses will be executed within that region. When A24=1, the upper 128Mb memory array (01000000h – 01FFFFFFh) will be selected.

If the device powers up with ADP bit set to 1, or an “Enter 4-Byte Address Mode (B7H)” instruction is issued, the device will require 4-Byte address input for all address related instructions, and the Extended Address Bit A24 setting will be ignored. However, any instruction with 4-Byte address input will replace the Extended Address Bit A24 with new settings.

**Reserved bit**

It is recommended to set the value of the reserved bit as “0”.



## 7. COMMANDS DESCRIPTION

All commands, addresses and data are shifted in and out of the device, beginning with the most significant bit on the first rising edge of SCLK after CS# is driven low. Then, the one-Byte command code must be shifted in to the device, with most significant bit first on SI, and each bit being latched on the rising edges of SCLK.

Every command sequence starts with a one-Byte command code. Depending on the command, this might be followed by address Bytes, or by data Bytes, or by both or none. CS# must be driven high after the last bit of the command sequence has been completed. For the command of Read, Fast Read, Read Status Register or Release from Deep Power-Down, and Read Device ID, the shifted-in command sequence is followed by a data-out sequence. All read instruction can be completed after any bit of the data-out sequence is being shifted out, and then CS# must be driven high to return to deselected status.

For the command of Page Program, Sector Erase, Block Erase, Chip Erase, Write Status Register, Write Enable, Write Disable or Deep Power-Down command, CS# must be driven high exactly at a Byte boundary, otherwise the command is rejected, and is not executed. That is CS# must be driven high when the number of clock pulses after CS# being driven low is an exact multiple of eight. For Page Program, if at any time the input Byte is not a full Byte, nothing will happen and WEL will not be reset.

When the device is in 3-Byte address mode (ADS=0), please refer to command set in table13 & table14. When the device is in 4-Byte address mode (ADS=1), please refer to command set in table13 & table15.

Extended Address Register setting is effective to achieve A31-A24, accompanying A23-A0 within the instruction, when commands listed in table14 are executed.

Extended Address Register setting is ignored when A31-A24 are given in the instruction listed in table 15 and some specific instruction from table13 (13H, 0CH, 3CH, 6CH, BCH, ECH).

**Table 13. Commands (Standard/Dual/Quad SPI, 3-Byte & 4-Byte address mode)**

| Command Name                  | Add Mode | Byte 1 | Byte 2    | Byte 3 | Byte 4 | Byte 5 | Byte 6 | n-Bytes |
|-------------------------------|----------|--------|-----------|--------|--------|--------|--------|---------|
| Write Enable                  | 3 & 4    | 06H    |           |        |        |        |        |         |
| Write Disable                 | 3 & 4    | 04H    |           |        |        |        |        |         |
| Volatile SR Write Enable      | 3 & 4    | 50H    |           |        |        |        |        |         |
| Read Status Register-1        | 3 & 4    | 05H    | (S7-S0)   |        |        |        |        | (cont.) |
| Read Status Register-2        | 3 & 4    | 35H    | (S15-S8)  |        |        |        |        | (cont.) |
| Read Status Register-3        | 3 & 4    | 15H    | (S23-S16) |        |        |        |        |         |
| Write Status Register-1       | 3 & 4    | 01H    | S7-S0     |        |        |        |        |         |
| Write Status Register-1&2     | 3 & 4    | 01H    | S7-S0     | S15-S8 |        |        |        |         |
| Write Status Register-2       | 3 & 4    | 31H    | S15-S8    |        |        |        |        |         |
| Write Status Register-3       | 3 & 4    | 11H    | S23-S16   |        |        |        |        |         |
| Read Extended Addr. Register  | 3 & 4    | C8H    | (EA7-EA0) |        |        |        |        |         |
| Write Extended Addr. Register | 3 & 4    | C5H    | EA7-EA0   |        |        |        |        |         |





### 3.3V Uniform Sector

## GigaDevice Dual and Quad Serial Flash

## GD25B256D

|  |       |        |  |  |                            |             |             |           |
|--|-------|--------|--|--|----------------------------|-------------|-------------|-----------|
| Chip Erase   | 3 & 4 | C7/60H |  |  |                            |             |             |           |
| Enable Reset   | 3 & 4 | 66H    |  |  |                            |             |             |           |
| Reset  | 3 & 4 | 99H    |  |  |                            |             |             |           |
| Program/Erase Suspend                                    | 3 & 4 | 75H    |  |  |                            |             |             |           |
| Program/Erase Resume                                     | 3 & 4 | 7AH    |  |  |                            |             |             |           |
| Set Burst with Wrap <sup>(5)</sup>                       | 3 & 4 | 77H    | dummy W7-W0                            |  |                            |             |             |           |
| Release From Deep Power-Down                             | 3 & 4 | ABH    |  |  |                            |             |             |           |
| Read Device ID   | 3 & 4 | ABH    | dummy                                  | dummy  | dummy                      | (DID7-DID0) |             | (cont.)   |
| Deep Power-Down  | 3 & 4 | B9H    |  |  |                            |             |             |           |
| Manufacturer/Device ID                                   | 3 & 4 | 90H    | dummy                                  | dummy  | 00H                        | (MID7-MID0) | (DID7-DID0) | (cont.)   |
| Manufacturer/Device ID by Dual I/O                       | 3 & 4 | 92H    | A23-A8                                 | A7-A0, M7-M0                                       | (MID7-MID0)<br>(DID7-DID0) |             |             |           |
| Manufacturer/Device ID by Quad I/O                       | 3 & 4 | 94H    | A23-A0, M7-M0                          | dummy <sup>(5)</sup><br>(MID7-MID0)<br>(DID7-DID0) |                            |             |             |           |
| Read Identification                                      | 3 & 4 | 9FH    | (MID7-MID0)                            | (JDID15-JDID8)                                     | (JDID7-JDID0)              |             |             | (cont.)   |
| Enter 4-Byte Address Mode                                | 3 & 4 | B7H    |  |  |                            |             |             |           |
| Exit 4-Byte Address Mode                                 | 3 & 4 | E9H    |  |  |                            |             |             |           |
| Read Data with 4-Byte Address                            | 3 & 4 | 13H    | A31-A24                                | A23-A16  | A15-A8                     | A7-A0       | (D7-D0)     |           |
| Fast Read with 4-Byte Address                            | 3 & 4 | 0CH    | A31-A24                                | A23-A16  | A15-A8                     | A7-A0       | dummy       | (D7-D0)   |
| Fast Read Dual Output with 4-Byte Address <sup>(1)</sup> | 3 & 4 | 3CH    | A31-A24                                | A23-A16  | A15-A8                     | A7-A0       | dummy       | (D7-D0)   |
| Fast Read Quad Output with 4-Byte Address <sup>(3)</sup> | 3 & 4 | 6CH    | A31-A24                                | A23-A16  | A15-A8                     | A7-A0       | dummy       | (D7-D0)   |
| Fast Read Dual I/O with 4-Byte Address <sup>(2)</sup>    | 3 & 4 | BCH    | A31-A24<br>A23-A 16                    | A15-A8<br>A7-A0                                    | M7-M0<br>(D7-D0)           |             |             |           |
| Fast Read Quad I/O with 4-Byte Address <sup>(4)</sup>    | 3 & 4 | ECH    | A31-A24<br>A23-A 16<br>A15-A8<br>A7-A0 | M7-M0<br>dummy<br>dummy<br>D7-D0                   |                            |             |             |           |
| Page Program with 4-Byte Address                         | 3 & 4 | 12H    | A31-A24                                | A23-A16  | A15-A8                     | A7-A0       | D7-D0       | Next Byte |
| Quad Page  | 3 & 4 | 34H    | A31-A24                                | A23-A16  | A15-A8                     | A7-A0       | D7-D0       |           |



### 3.3V Uniform Sector

## GigaDevice Dual and Quad Serial Flash

## GD25B256D

|  |       |     |         |         |        |       |         |         |
|--|-------|-----|---------|---------|--------|-------|---------|---------|
| Program with 4-Byte Address              |       |     |         |         |        |       |         |         |
| Sector Erase with 4-Byte Address         | 3 & 4 | 21H | A31-A24 | A23-A16 | A15-A8 | A7-A0 |         |         |
| Block Erase(32K) with 4-Byte Address     | 3 & 4 | 5CH | A31-A24 | A23-A16 | A15-A8 | A7-A0 |         |         |
| Block Erase(64K) with 4-Byte Address     | 3 & 4 | DCH | A31-A24 | A23-A16 | A15-A8 | A7-A0 |         |         |
| Clear SR Flags                           | 3 & 4 | 30H |         |         |        |       |         |         |
| Read Serial Flash Discoverable Parameter | 3 & 4 | 5AH | A23-A16 | A15-A8  | A7-A0  | dummy | (D7-D0) | (cont.) |

Table 14 Commands (Standard/Dual/Quad SPI, 3-Byte address)

| Command Name                              | Add Mode | Byte 1 | Byte 2                         | Byte 3                        | Byte 4                 | Byte 5  | Byte 6                 | n-Bytes |
|---|----------|--------|--------------------------------|-------------------------------|------------------------|---------|------------------------|---------|
| Read Data                                 | 3        | 03H    | A23-A16                        | A15-A8                        | A7-A0                  | (D7-D0) | (Next Byte)            | (cont.) |
| Fast Read                                 | 3        | 0BH    | A23-A16                        | A15-A8                        | A7-A0                  | dummy   | (D7-D0)                | (cont.) |
| Dual Output Fast Read <sup>(1)</sup>      | 3        | 3BH    | A23-A16                        | A15-A8                        | A7-A0                  | dummy   | (D7-D0) <sup>(1)</sup> | (cont.) |
| Dual I/O Fast Read <sup>(2)</sup>         | 3        | BBH    | A23-A8 <sup>(2)</sup>          | A7-A0<br>M7-M0 <sup>(2)</sup> | (D7-D0) <sup>(1)</sup> |         |                        | (cont.) |
| Quad Output Fast Read <sup>(3)</sup>      | 3        | 6BH    | A23-A16                        | A15-A8                        | A7-A0                  | dummy   | (D7-D0) <sup>(3)</sup> | (cont.) |
| Quad I/O Fast Read <sup>(4)</sup>         | 3        | EBH    | A23-A0<br>M7-M0 <sup>(4)</sup> | dummy                         | (D7-D0) <sup>(3)</sup> |         |                        | (cont.) |
| Page Program                              | 3        | 02H    | A23-A16                        | A15-A8                        | A7-A0                  | D7-D0   | Next Byte              |         |
| Quad Page Program                         | 3        | 32H    | A23-A16                        | A15-A8                        | A7-A0                  | D7-D0   |                        |         |
| Sector Erase                              | 3        | 20H    | A23-A16                        | A15-A8                        | A7-A0                  |         |                        |         |
| Block Erase(32K)                          | 3        | 52H    | A23-A16                        | A15-A8                        | A7-A0                  |         |                        |         |
| Block Erase(64K)                          | 3        | D8H    | A23-A16                        | A15-A8                        | A7-A0                  |         |                        |         |
| Read Unique ID                            | 3        | 4BH    | dummy                          | dummy                         | dummy                  | dummy   | (UID7-UID0)            | (cont.) |
| Erase Security Registers <sup>(6)</sup>   | 3        | 44H    | A23-A16                        | A15-A8                        | A7-A0                  |         |                        |         |
| Program Security Registers <sup>(6)</sup> | 3        | 42H    | A23-A16                        | A15-A8                        | A7-A0                  | D7-D0   | D7-D0                  |         |
| Read Security Registers <sup>(6)</sup>    | 3        | 48H    | A23-A16                        | A15-A8                        | A7-A0                  | dummy   | (D7-D0)                |         |



**Table 15. Commands (Standard/Dual/Quad SPI, 4-Byte address)**

| Command Name                              | Add Mode | Byte 1 | Byte 2                                | Byte 3   | Byte 4                        | Byte 5                 | Byte 6  | Bytes-7                | n-Bytes |
|---|----------|--------|---------------------------------------|--|-------------------------------|------------------------|---------|------------------------|---------|
| Read Data                                 | 4        | 03H    | A31-A24                               | A23-A16  | A15-A8                        | A7-A0                  | (D7-D0) |                        | (cont.) |
| Fast Read                                 | 4        | 0BH    | A31-A24                               | A23-A16  | A15-A8                        | A7-A0                  | dummy   | (D7-D0)                | (cont.) |
| Dual Output Fast Read <sup>(1)</sup>      | 4        | 3BH    | A31-A24                               | A23-A16  | A15-A8                        | A7-A0                  | dummy   | (D7-D0) <sup>(1)</sup> | (cont.) |
| Dual I/O Fast Read <sup>(2)</sup>         | 4        | BBH    | A31-A24<br>A23-A16                    | A15-A8<br>A7-A0  | M7-M0 <sup>(2)</sup><br>dummy | (D7-D0) <sup>(1)</sup> |         |                        |         |
| Quad Output Fast Read <sup>(3)</sup>      | 4        | 6BH    | A31-A24                               | A23-A16  | A15-A8                        | A7-A0                  | dummy   | (D7-D0) <sup>(1)</sup> | (cont.) |
| Quad I/O Fast Read <sup>(4)</sup>         | 4        | EBH    | A31-A24<br>A23-A16<br>A15-A8<br>A7-A0 | M7-M0 <sup>(4)</sup><br>dummy<br>dummy<br>(D7-D0) <sup>(3)</sup> |                               |                        |         |                        | (cont.) |
| Page Program                              | 4        | 02H    | A31-A24                               | A23-A16  | A15-A8                        | A7-A0                  | D7-D0   | D7-D0                  | (cont.) |
| Quad Page Program                         | 4        | 32H    | A31-A24                               | A23-A16  | A15-A8                        | A7-A0                  | D7-D0   |                        | (cont.) |
| Sector Erase                              | 4        | 20H    | A31-A24                               | A23-A16  | A15-A8                        | A7-A0                  |         |                        |         |
| Block Erase(32K)                          | 4        | 52H    | A31-A24                               | A23-A16  | A15-A8                        | A7-A0                  |         |                        |         |
| Block Erase(64K)                          | 4        | D8H    | A31-A24                               | A23-A16  | A15-A8                        | A7-A0                  |         |                        |         |
| Read Unique ID                            | 4        | 4BH    | dummy                                 | dummy  | dummy                         | dummy                  | dummy   | (UID7-UID0)            | (cont.) |
| Erase Security Registers <sup>(6)</sup>   | 4        | 44H    | A31-A24                               | A23-A16  | A15-A8                        | A7-A0                  |         |                        |         |
| Program Security Registers <sup>(6)</sup> | 4        | 42H    | A31-A24                               | A23-A16  | A15-A8                        | A7-A0                  | D7-D0   | D7-D0                  | (cont.) |
| Read Security Registers <sup>(6)</sup>    | 4        | 48H    | A31-A24                               | A23-A16  | A15-A8                        | A7-A0                  | dummy   | (D7-D0)                | (cont.) |

NOTE:

1. Dual Output data

IO0 = (D6, D4, D2, D0)

IO1 = (D7, D5, D3, D1)

2. Dual Input Address

IO0 = A22, A20, A18, A16, A14, A12, A10, A8      A6, A4, A2, A0, M6, M4, M2, M0

IO1 = A23, A21, A19, A17, A15, A13, A11, A9      A7, A5, A3, A1, M7, M5, M3, M1

3. Quad Output Data

IO0 = (D4, D0, .....)

IO1 = (D5, D1, .....)

IO2 = (D6, D2, .....)

IO3 = (D7, D3,.....)

4. Quad Input Address

IO0 = A20, A16, A12, A8,    A4, A0, M4, M0

IO1 = A21, A17, A13, A9,    A5, A1, M5, M1

IO2 = A22, A18, A14, A10, A6, A2, M6, M2

IO3 = A23, A19, A15, A11, A7, A3, M7, M3

5. Address, Continuous Read Mode bits, Dummy bits, Manufacture ID and Device ID

IO0 = (A20, A16, A12, A8, A4, A0,    M4, M0,    x, x, x, x,    MID4, MID0, DID4, DID0, ...)



**3.3V Uniform Sector**  
**GigaDevice Dual and Quad Serial Flash**

**GD25B256D**

IO1 = (A21, A17, A13, A9, A5, A1, M5, M1, x, x, x, x, MID5, MID1, DID5, DID1, ...)

IO2 = (A22, A18, A14, A10, A6, A2, M6, M2, x, x, x, x, MID6, MID2, DID6, DID2, ...)

IO3 = (A23, A19, A15, A11, A7, A3, M7, M3, x, x, x, x, MID7, MID3, DID7, DID3, ...)

6. Security Registers Address

Security Register1: A23-A16=00H, A15-A12=1H, A11=0b, A10-A0= Byte Address;

Security Register2: A23-A16=00H, A15-A12=2H, A11=0b, A10-A0= Byte Address;

Security Register3: A23-A16=00H, A15-A12=3H, A11=0b, A10-A0= Byte Address.

**Table of ID Definitions:**

**GD25B256D**

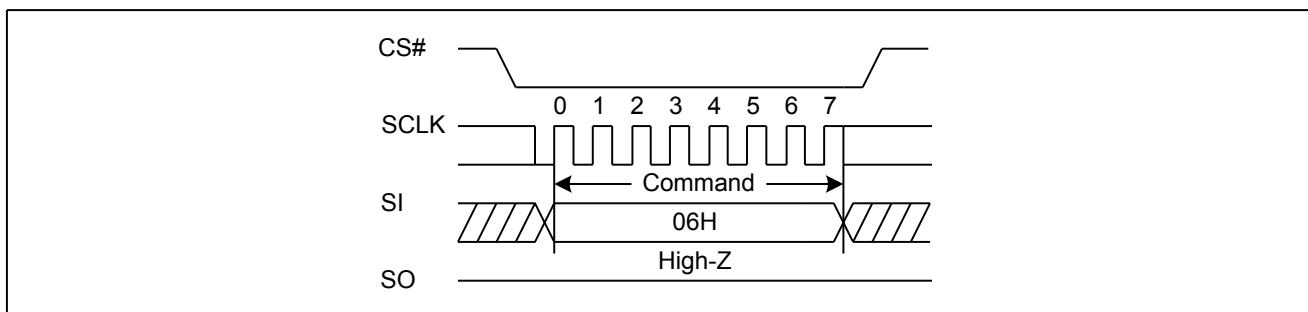
| Operation Code | MID7-MID0 | ID15-ID8 | ID7-ID0 |
|----------------|-----------|----------|---------|
| 9FH            | C8        | 40       | 19      |
| 90H            | C8        |          | 18      |
| ABH            |           |          | 18      |



### 7.1. Write Enable (WREN) (06H)

The Write Enable (WREN) command is for setting the Write Enable Latch (WEL) bit. The Write Enable Latch (WEL) bit must be set prior to every Page Program (PP), Quad Page Program (QPP), Sector Erase (SE), Block Erase (BE), Chip Erase (CE), Write Status Register (WRSR). The Write Enable (WREN) command sequence: CS# goes low → sending the Write Enable command → CS# goes high.

**Figure 3 Write Enable Sequence Diagram**



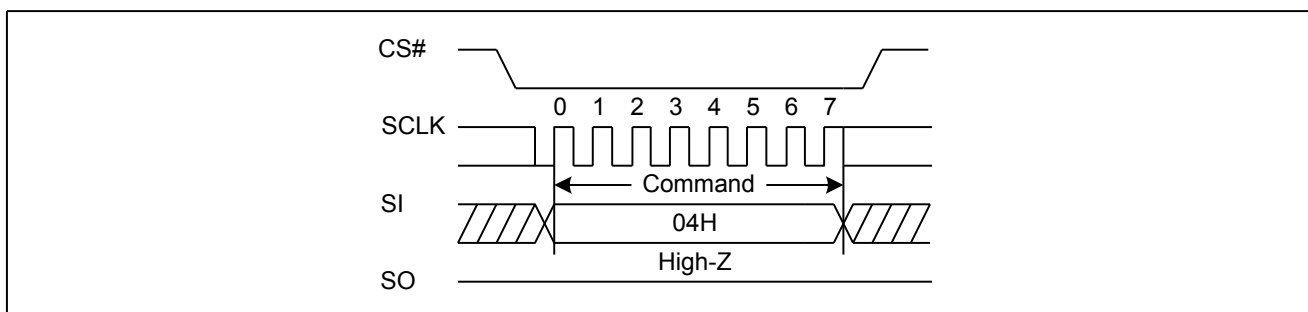
### 7.2. Write Disable (WRDI) (04H)

The Write Disable command is for resetting the Write Enable Latch (WEL) bit. The Write Enable Latch (WEL) bit may be set to a 0 by issuing the Write Disable (WRDI) command to disable Page Program (PP), Quad Page Program (QPP), Sector Erase (SE), Block Erase (BE), Chip Erase (CE), Write Status Register (WRSR), that require WEL be set to 1 for execution. The WRDI command can be used by the user to protect memory areas against inadvertent writes that can possibly corrupt the contents of the memory. The WRDI command is ignored during an embedded operation while WIP bit =1.

The WEL bit is reset by following condition: Write Disable command (WRDI), Power-up, and upon completion of the Write Status Register, Page Program, Sector Erase, Block Erase and Chip Erase commands.

The Write Disable command sequence: CS# goes low → Sending the Write Disable command → CS# goes high.

**Figure 4 Write Disable Sequence Diagram**

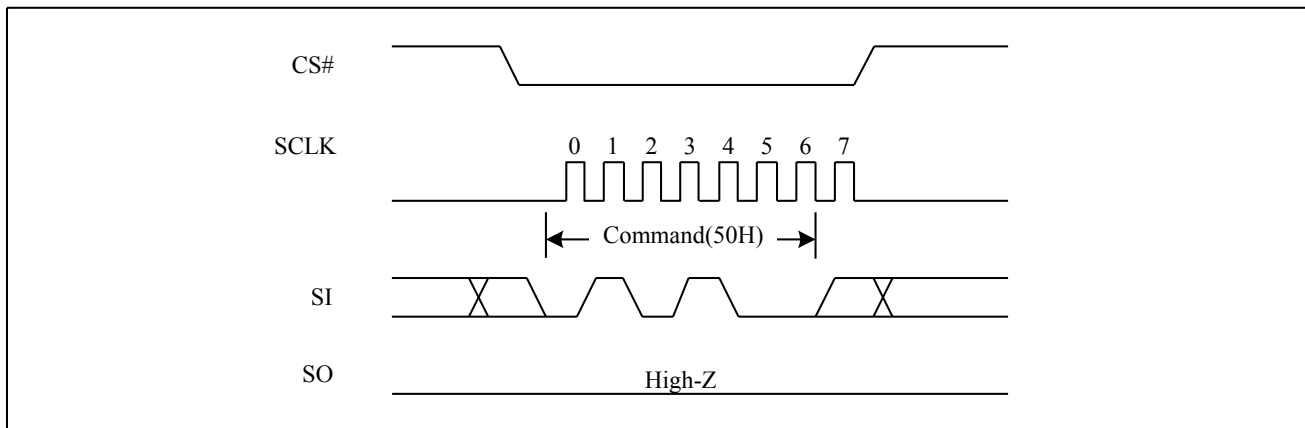


### 7.3. Write Enable for Volatile Status Register (50H)

The non-volatile Status Register bits can also be written to as volatile bits. This gives more flexibility to change the system configuration and memory protection schemes quickly without waiting for the typical non-volatile bit write cycles or affecting the endurance of the Status Register non-volatile bits. The Write Enable for Volatile Status Register command must be issued prior to a Write Status Register command and any other commands can't be inserted between them. Otherwise, Write Enable for Volatile Status Register will be cleared. The Write Enable for Volatile Status Register command will not set the Write Enable Latch bit, it is only valid for the Write Status Register command to change the volatile Status Register bit values.



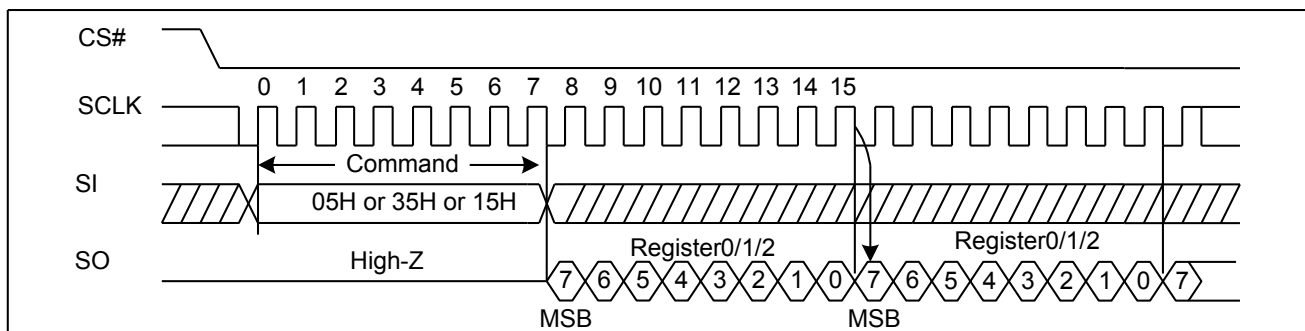
**Figure 5. Write Enable for Volatile Status Register Sequence Diagram**



### 7.4. Read Status Register (RDSR) (05H or 35H or 15H)

The Read Status Register (RDSR) command is for reading the Status Register. The Status Register may be read at any time, even while a Program, Erase or Write Status Register cycle is in progress. When one of these cycles is in progress, it is recommended to check the Write in Progress (WIP) bit before sending a new command to the device. It is also possible to read the Status Register continuously. For command code “05H” / “35H” / “15H”, the SO will output Status Register bits S7~S0 / S15~S8 / S23~S16.

**Figure 6 Read Status Register Sequence Diagram**



### 7.5. Write Status Register (WRSR) (01H or 31H or 11H)

The Write Status Register (WRSR) command allows new values to be written to the Status Register. Before it can be accepted, a Write Enable (WREN) command must previously have been executed. After the Write Enable (WREN) command has been decoded and executed, the device sets the Write Enable Latch (WEL).

The Write Status Register (WRSR) command has no effect on S19, S18, S15, S10, S8, S1 and S0 of the Status Register. CS# must be driven high after the eighth of the data Byte has been latched in. If not, the Write Status Register (WRSR) command is not executed. As soon as CS# is driven high, the self-timed Write Status Register cycle (whose duration is  $t_w$ ) is initiated. While the Write Status Register cycle is in progress, the Status Register may still be read to check the value of the Write In Progress (WIP) bit. The Write In Progress (WIP) bit is 1 during the self-timed Write Status Register cycle, and is 0 when it is completed. When the cycle is completed, the Write Enable Latch (WEL) is reset.

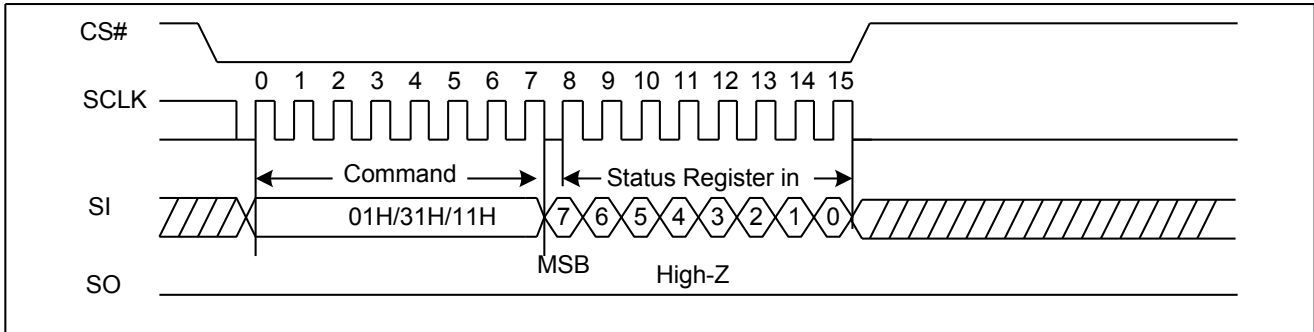
The Write Status Register (WRSR) command allows the user to change the values of the Block Protect (TB, BP3, BP2, BP1, and BP0) bits, to define the size of the area that is to be treated as read-only.

The Write Status Register-1 (01h) command can also write the Status Register-1&2. To complete the Write Status Register-1&2 command, the CS# pin must be driven high after the sixteenth bit of data is clocked in. If CS# is driven high after the eighth clock, the Write Status Register-1 (01h) instruction will only program the Status Register-1, and the Status



Register-2 will not be affected.

**Figure 7 Write Status Register Sequence Diagram**

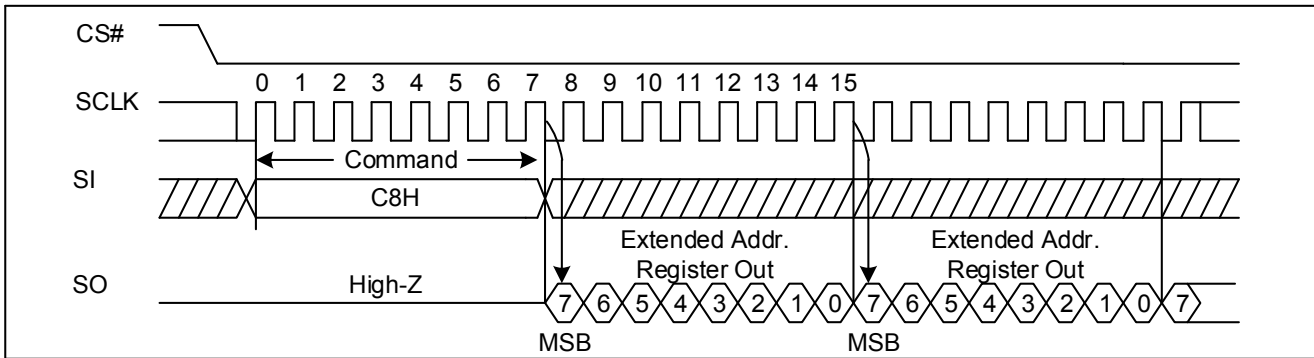


### 7.6. Read Extended Register (C8H)

Extended Register contains Address Bit A24. The Read Extended Register instruction is entered by driving CS# low and shifting the instruction code “C8H” into the SI pin on the rising edge of SCLK. The Extended Register bits are then shifted out on the SO pin at the falling edge of SCLK with most significant bit (MSB) first as shown in Figure 8.

When the device is in the 4-Byte Address Mode, the value of A24 Bit is ignored.

**Figure 8 Read Extended Register Sequence Diagram**

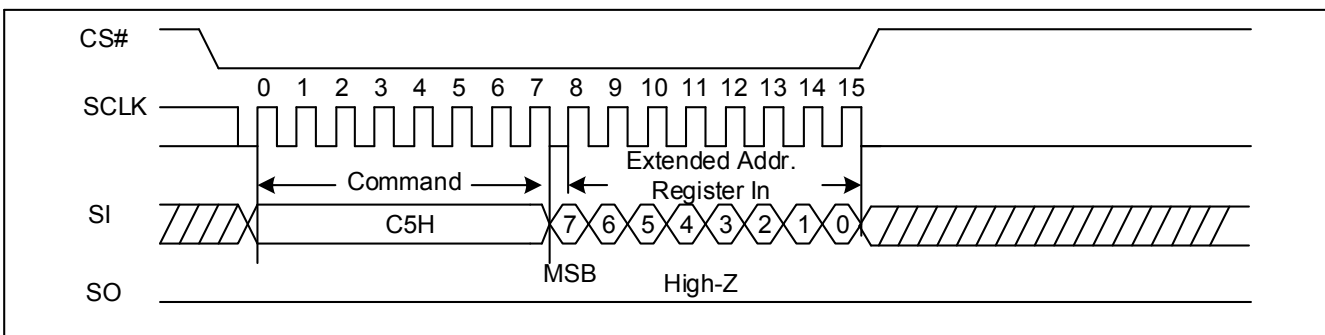


### 7.7. Write Extended Register (C5H)

The Write Extended Register command could be executed no matter the Write Enable Latch (WEL) bit is 0 or 1. The Write Extended Register instruction is entered by driving CS# low, sending the instruction code “C5H”, and then writing the Extended Register data Byte as illustrated in Figure 9.

Upon power up or the execution of a Software/Hardware Reset, the Extended Register bit values will be cleared to 0.

**Figure 9 Write Extended Register Sequence Diagram**

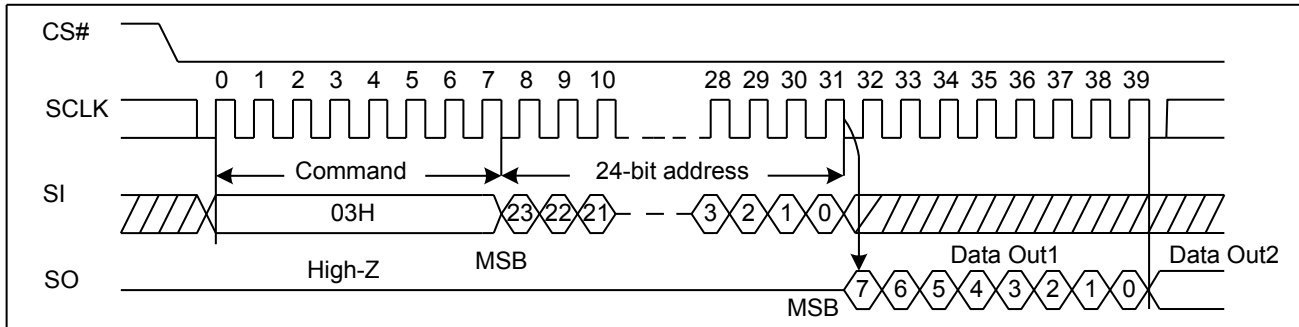




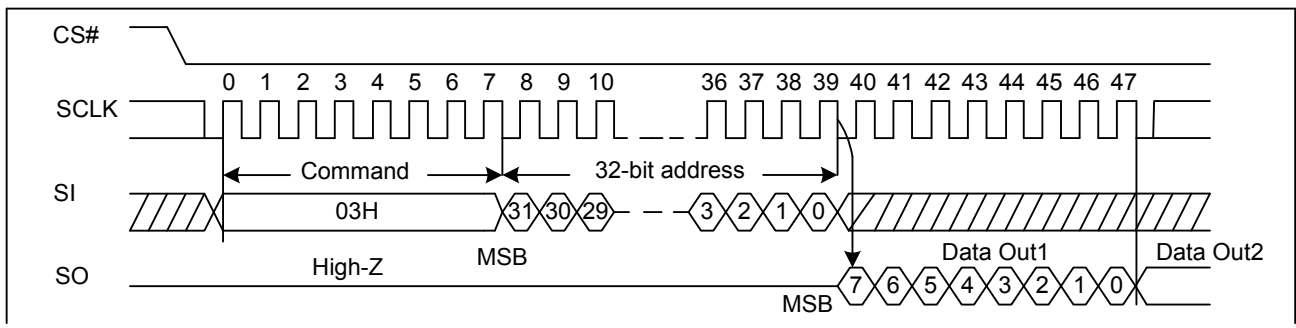
**7.8. Read Data Bytes (READ 03H or 4READ 13H)**

The Read Data Bytes (READ) command is followed by a 3-Byte address (A23-A0), and each bit being latched-in on the rising edge of SCLK. Then the memory content, at that address, is shifted out on SO, and each bit being shifted out, at a Max frequency  $f_R$ , on the falling edge of SCLK. The first Byte addressed can be at any location. The address is automatically incremented to the next higher address after each Byte of data is shifted out. The whole memory can, therefore, be read with a single Read Data Bytes (READ) command. Any Read Data Bytes (READ) command, while an Erase, Program or Write cycle is in progress, is rejected without having any effects on the cycle that is in progress.

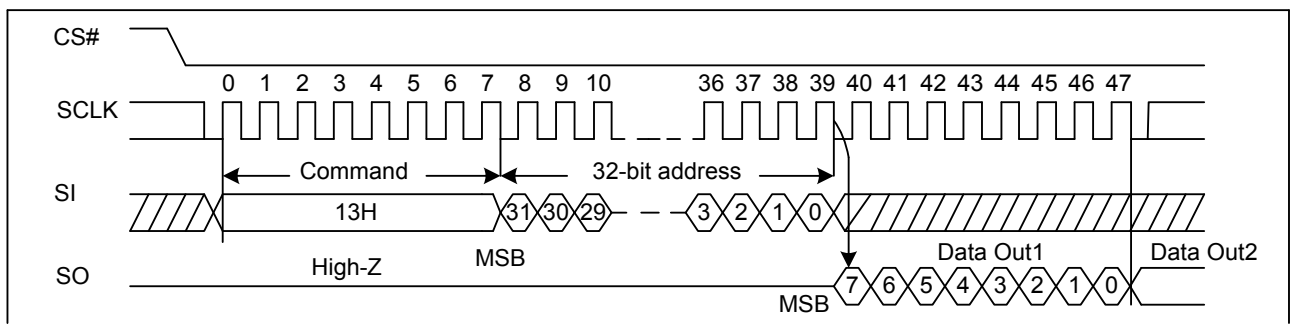
**Figure 10 Read Data Bytes Sequence Diagram (ADS=0)**



**Figure 11 Read Data Bytes Sequence Diagram (ADS=1)**



**Figure 12 Read Data with 4-Byte Address Sequence Diagram (ADS=0 or ADS=1)**



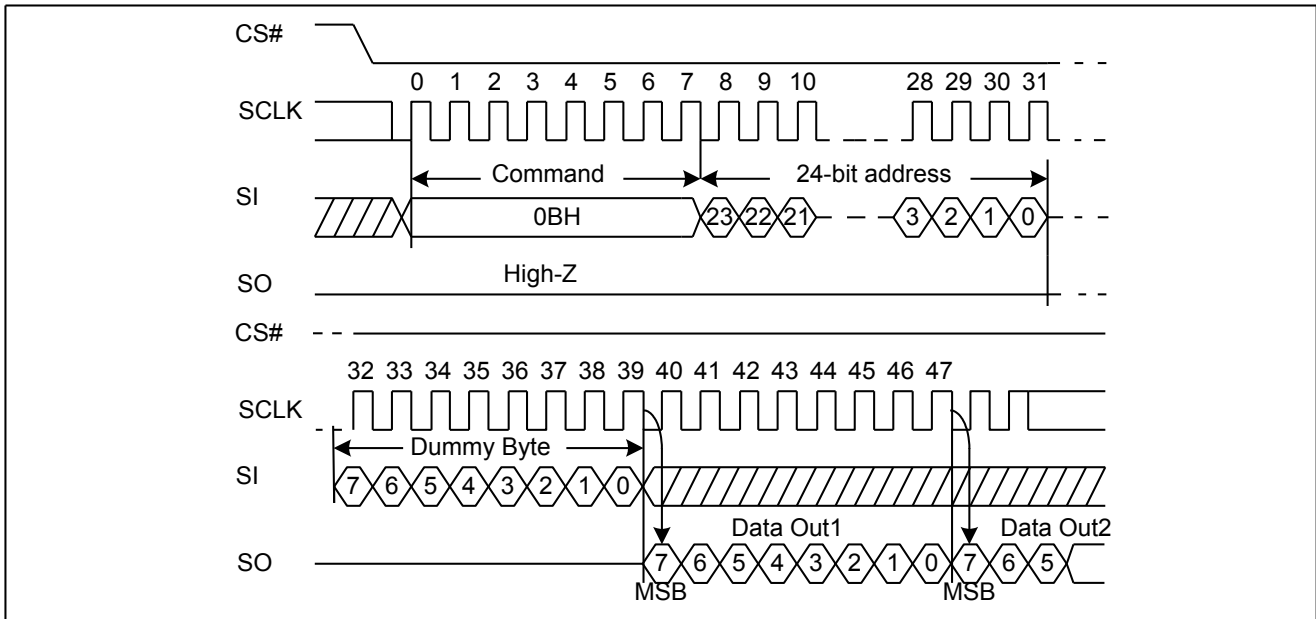




**7.9. Read Data Bytes at Higher Speed (Fast Read 0BH or 4Fast Read 0CH)**

The Read Data Bytes at Higher Speed (Fast Read) command is for quickly reading data out. It is followed by a 3-Byte address (A23-A0) and a dummy Byte, and each bit being latched-in on the rising edge of SCLK. Then the memory content, at that address, is shifted out on SO, and each bit being shifted out, at a Max frequency  $f_c$ , on the falling edge of SCLK. The first Byte addressed can be at any location. The address is automatically incremented to the next higher address after each Byte of data is shifted out.

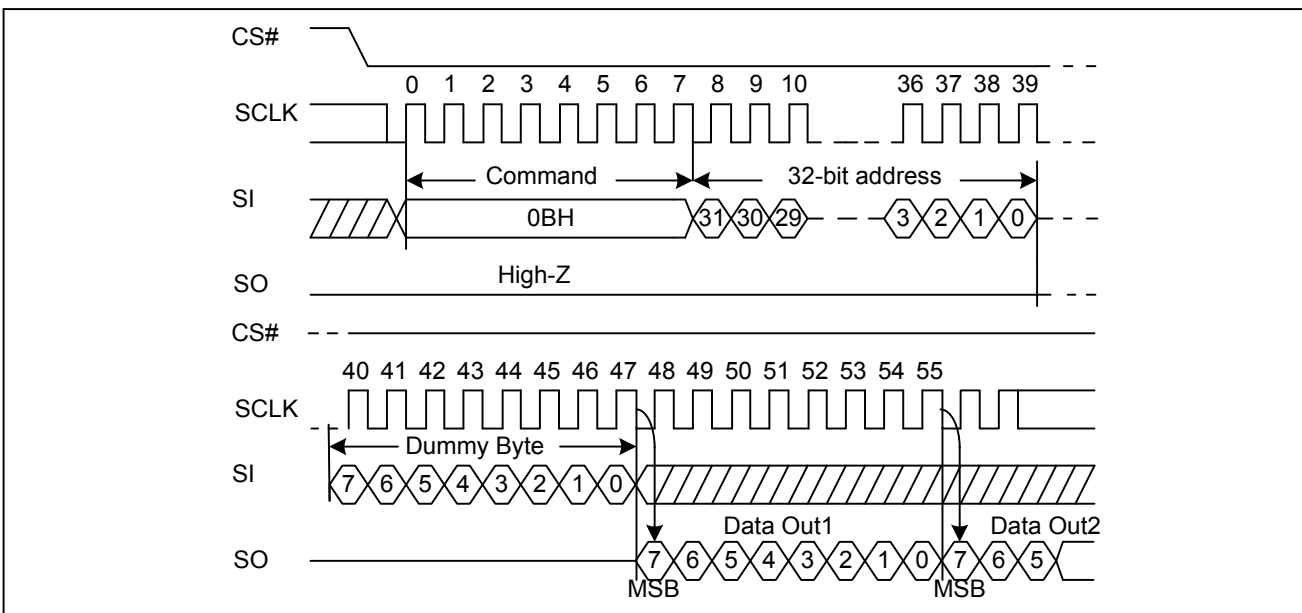
**Figure 13 Read Data Bytes at Higher Speed Sequence Diagram (ADS=0)**



Note:

1. The dummy clock number is configurable.

**Figure 14 Read Data Bytes at Higher Speed Sequence Diagram (ADS=1)**

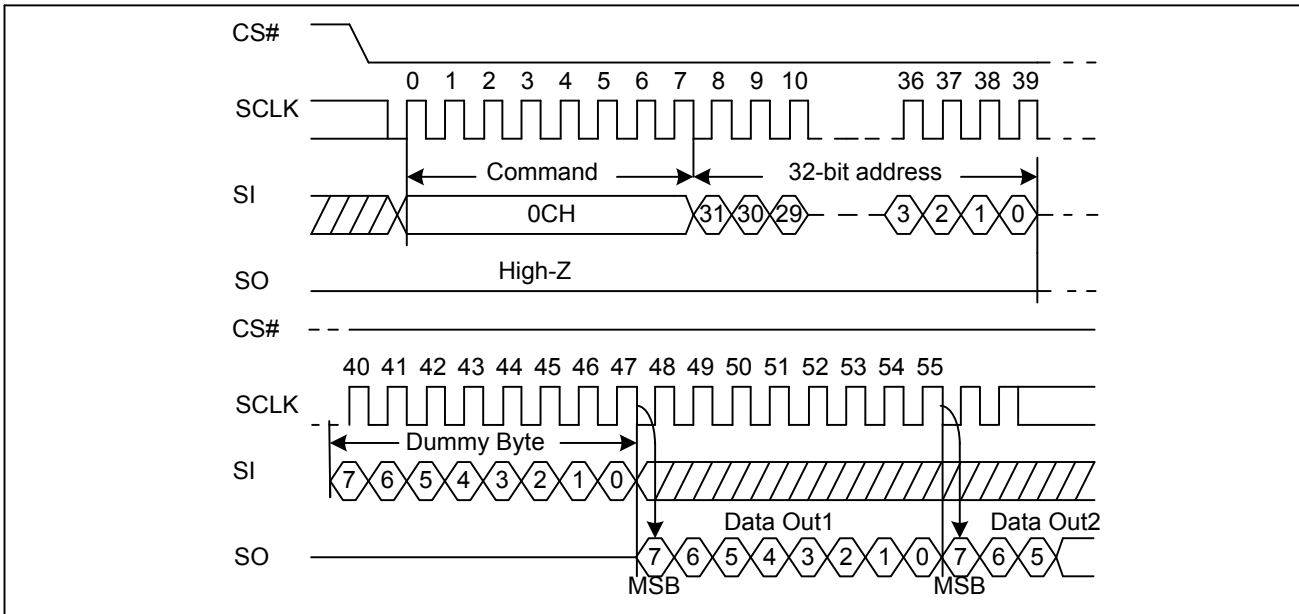


Note:

1. The dummy clock number is configurable.



**Figure 15 Fast Read with 4-Byte Address Sequence Diagram (ADS=0 or ADS=1)**



Note:

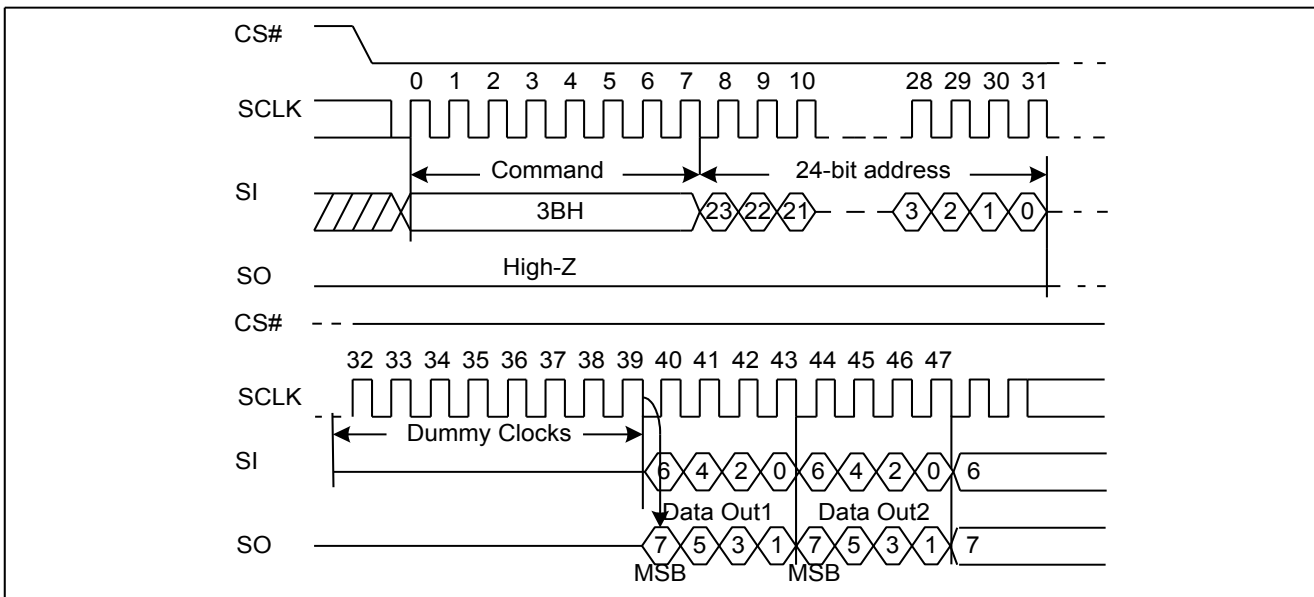
- 1. The dummy clock number is configurable.



7.10. Dual Output Fast Read (DOFR 3BH or 4DOFR 3CH)

The Dual Output Fast Read command is followed by 3-Byte address (A23-A0) and a dummy Byte, and each bit being latched in on the rising edge of SCLK, then the memory contents are shifted out 2-bit per clock cycle from SI and SO.

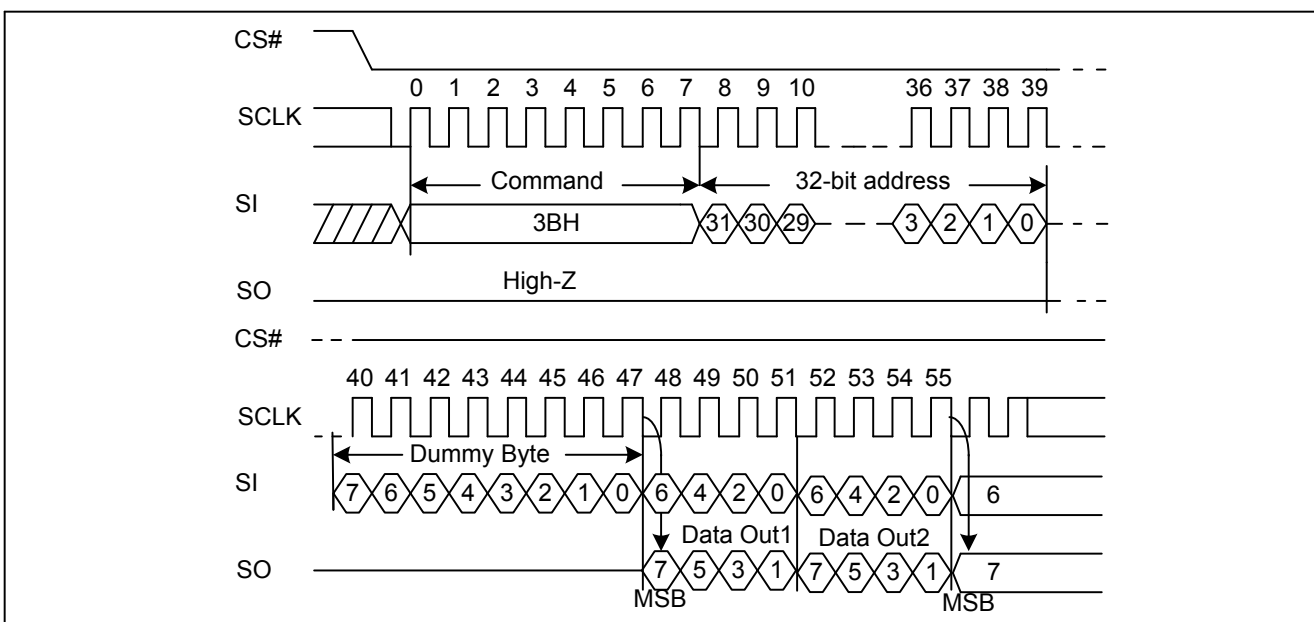
Figure 16 Dual Output Fast Read Sequence Diagram (ADS=0)



Note:

- 1. The dummy clock number is configurable.

Figure 17 Dual Output Fast Read Sequence Diagram (ADS=1)

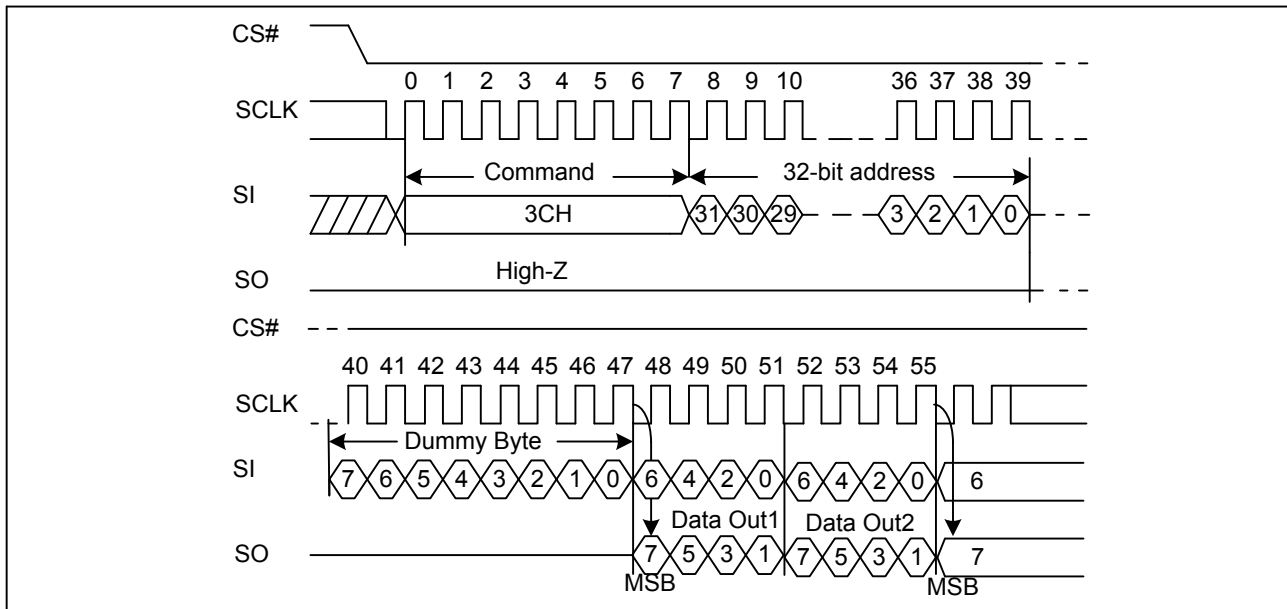


Note:

- 1. The dummy clock number is configurable.



Figure 18 Dual Output Fast Read with 4-Byte Address Sequence Diagram (ADS=0 or ADS=1)



Note:

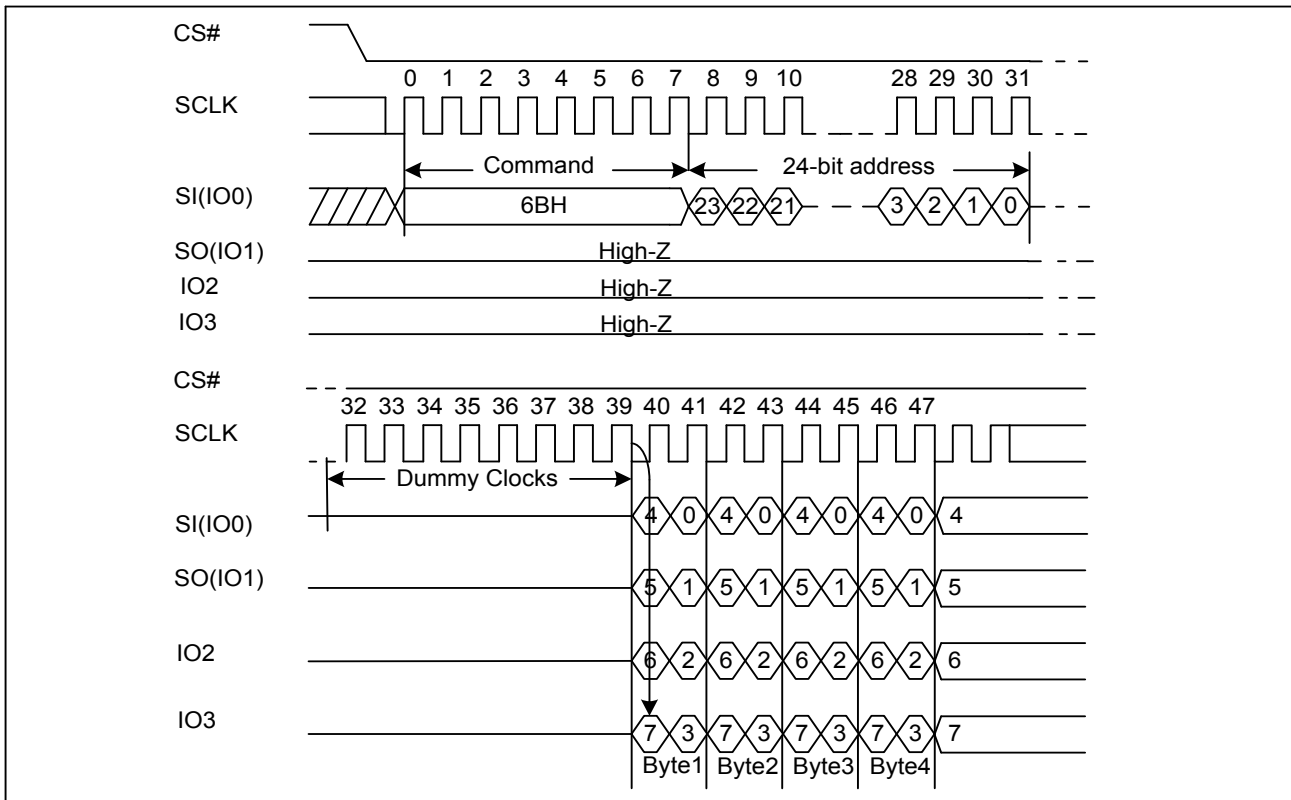
1. The dummy clock number is configurable.



7.11. Quad Output Fast Read (QOFR 6BH or 4QOFR 6CH)

The Quad Output Fast Read command is followed by 3-Byte address (A23-A0) and a dummy Byte, and each bit being latched in on the rising edge of SCLK, then the memory contents are shifted out 4-bit per clock cycle from IO3, IO2, IO1 and IO0. The command sequence is shown in followed Figure 19. The first Byte addressed can be at any location. The address is automatically incremented to the next higher address after each Byte of data is shifted out.

Figure 19 Quad Output Fast Read Sequence Diagram (ADS=0)

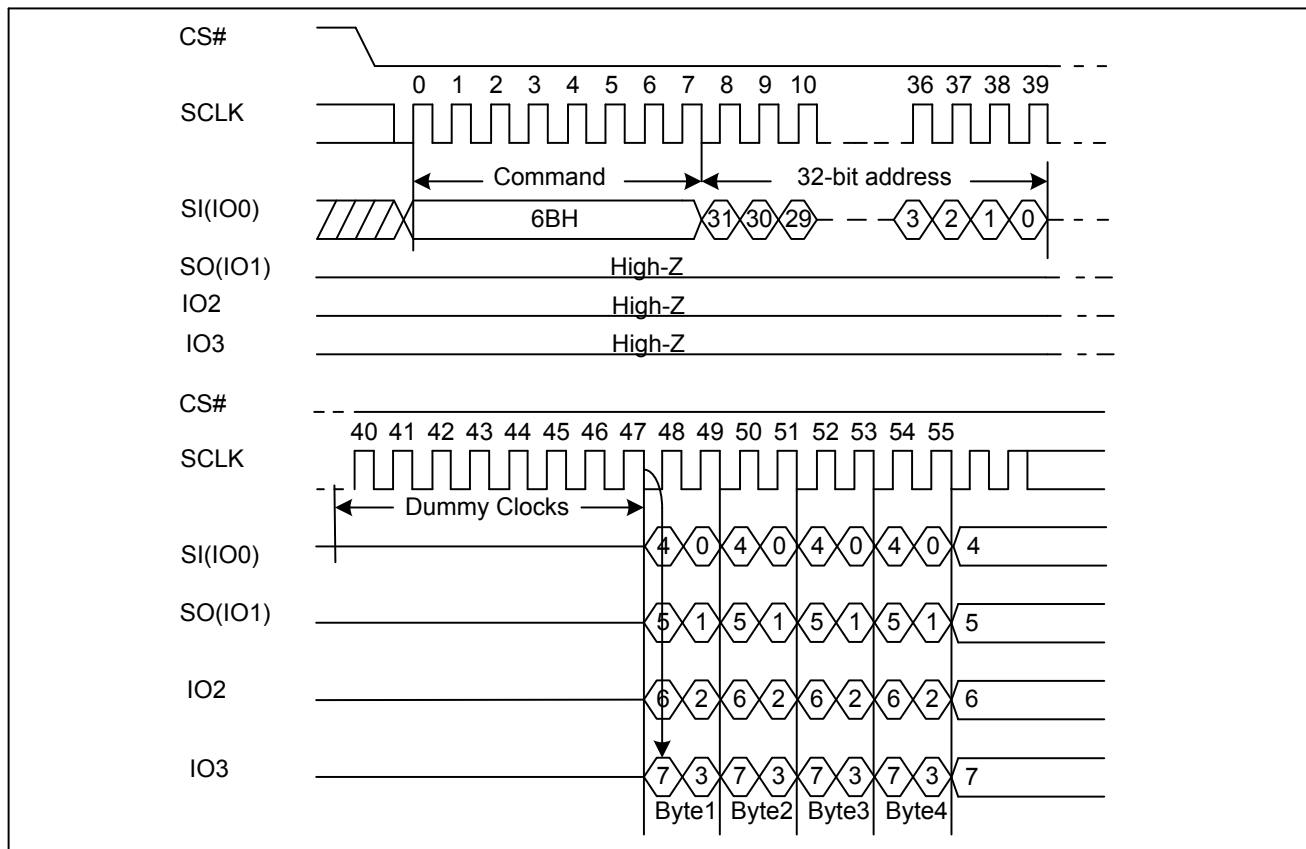


Note:

- 1. The dummy clock number is configurable.



Figure 20 Quad Output Fast Read Sequence Diagram (ADS=1)

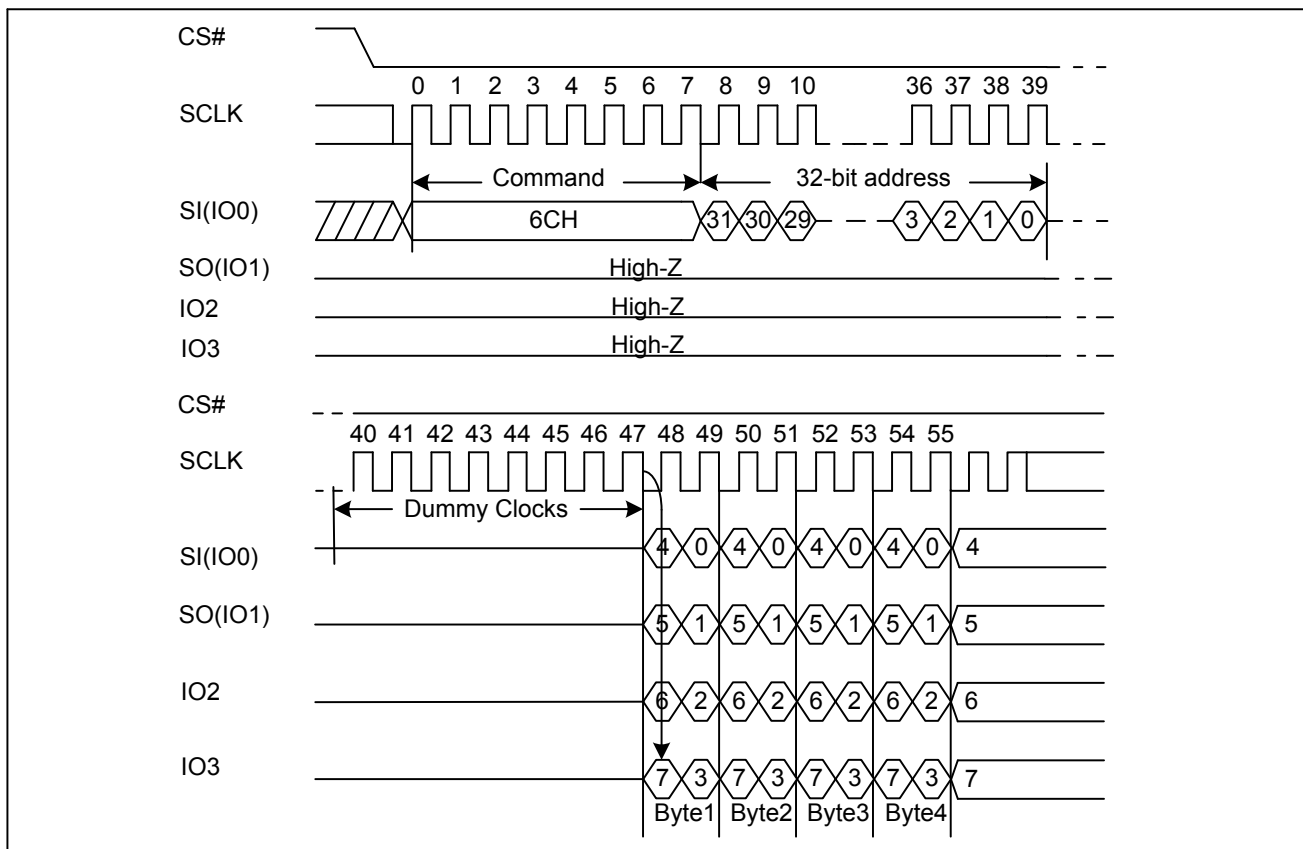


Note:

1. The dummy clock number is configurable.



Figure 21 Fast Read Quad Output with 4-Byte Address Sequence Diagram (ADS=0 or ADS=1)



Note:

1. The dummy clock number is configurable.

### 7.12. Dual I/O Fast Read (DIOFR BBH or 4DIOFR BCH)

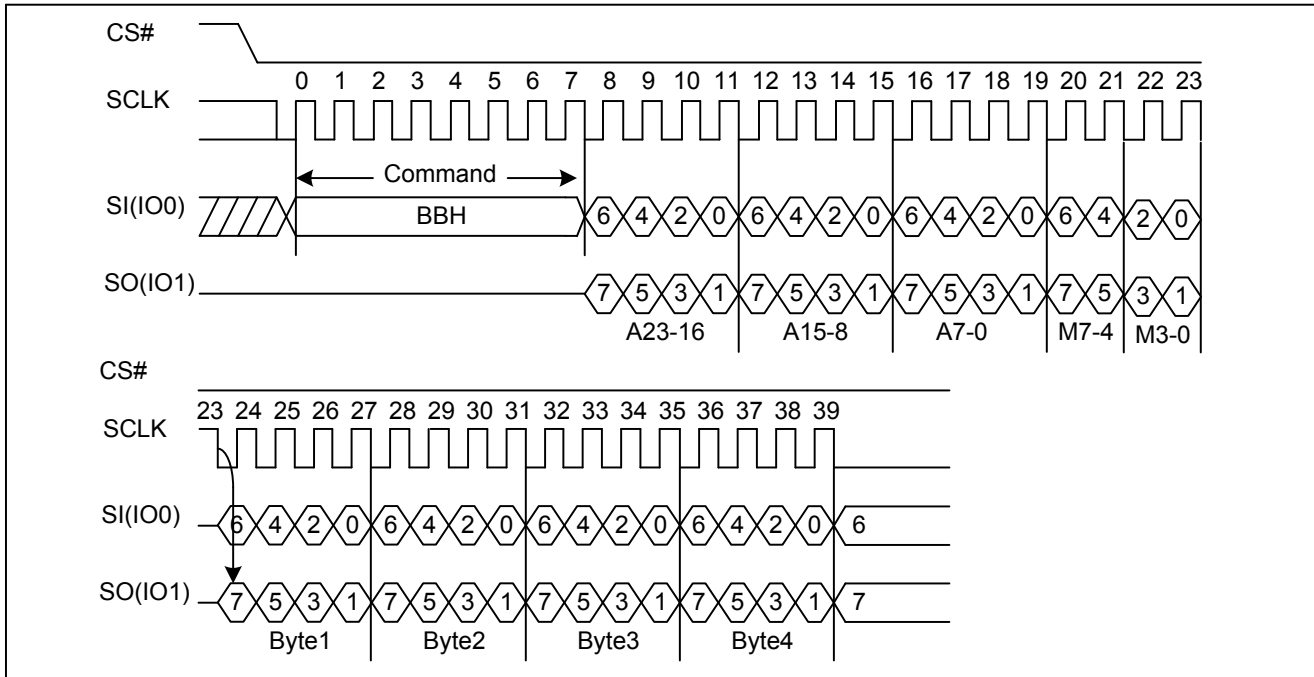
The Dual I/O Fast Read command is similar to the Dual Output Fast Read command but with the capability to input the 3-Byte address (A23-0) and a “Continuous Read Mode” Byte 2-bit per clock by SI and SO, and each bit being latched in on the rising edge of SCLK, then the memory contents are shifted out 2-bit per clock cycle from SI and SO. The command sequence is shown in followed Figure22. The first Byte addressed can be at any location. The address is automatically incremented to the next higher address after each Byte of data is shifted out.

#### Dual I/O Fast Read with “Continuous Read Mode”

The Dual I/O Fast Read command can further reduce command overhead through setting the “Continuous Read Mode” bits (M7-4) after the input 3-Byte address (A23-A0). If the “Continuous Read Mode” bits (M5-4) = (1, 0), then the next Dual I/O Fast Read command (after CS# is raised and then lowered) does not require the BBH command code. The command sequence is shown in followed Figure23. If the “Continuous Read Mode” bits (M5-4) do not equal (1, 0), the next command requires the command code, thus returning to normal operation. A Reset command can be used to reset (M5-4) before issuing normal command.



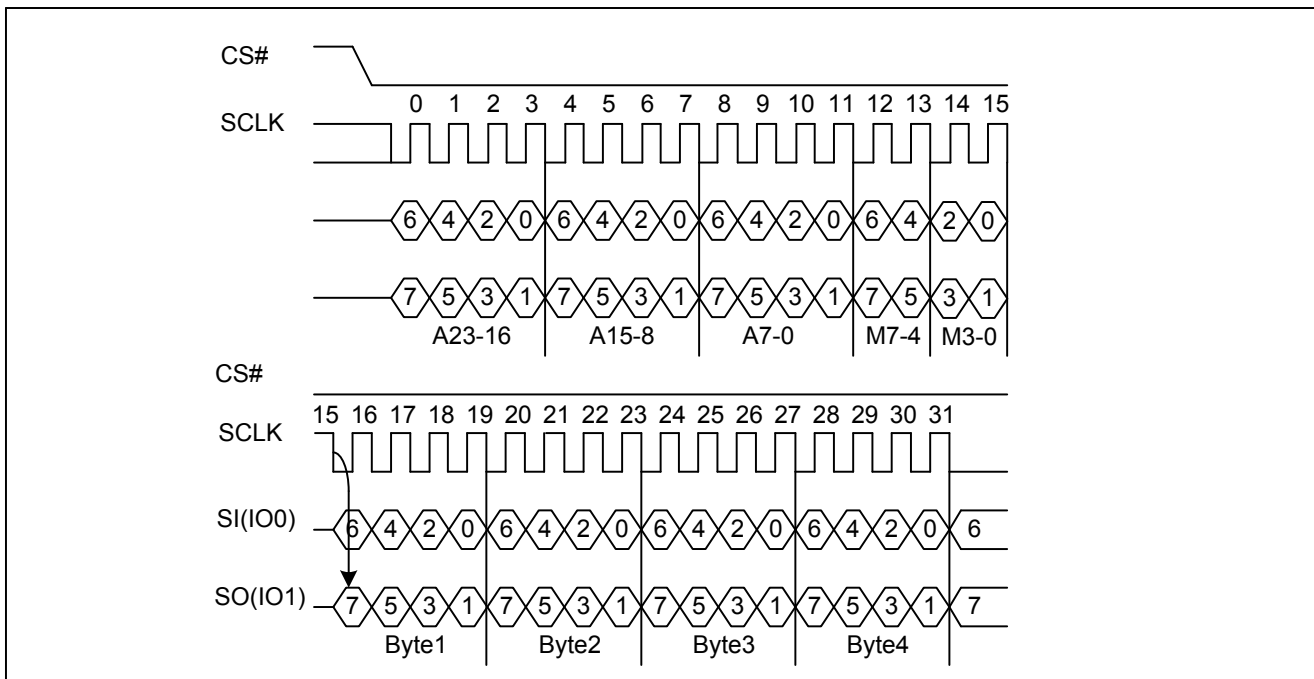
**Figure 22 Dual I/O Fast Read Sequence Diagram (M5-4# (1, 0), ADS=0)**



Note:

1. The dummy clock number is configurable.

**Figure 23 Dual I/O Fast Read Sequence Diagram (M5-4# (1, 0), ADS=0)**



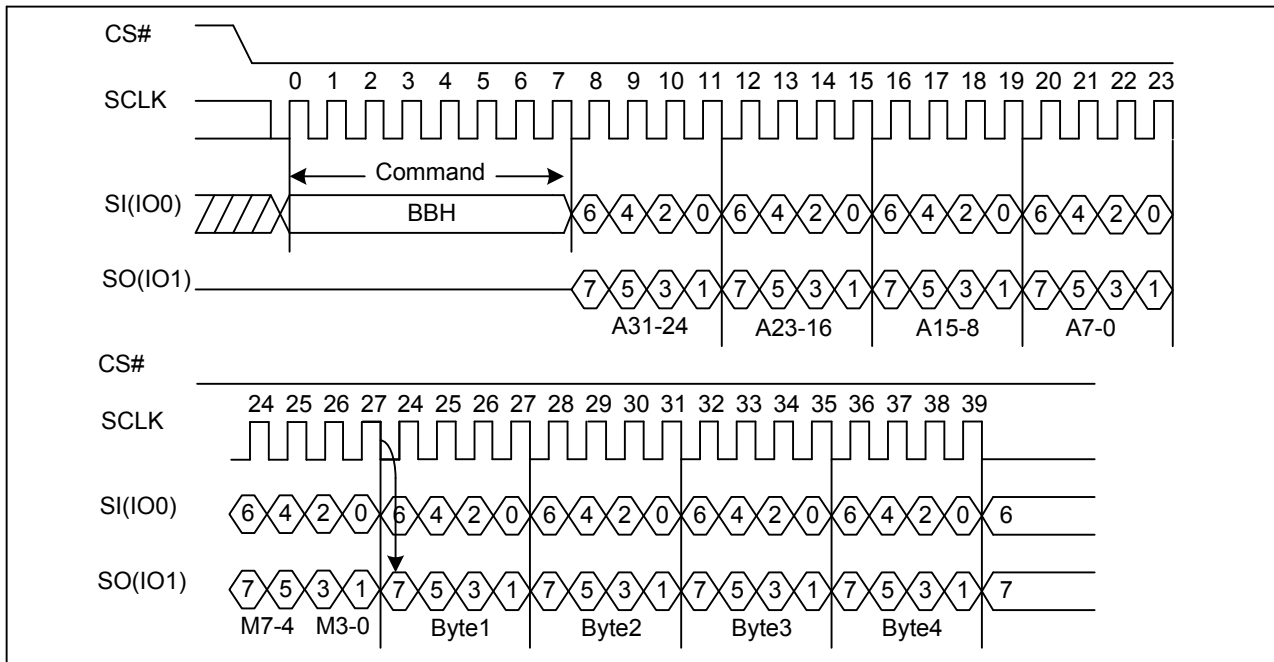
Note:

1. The dummy clock number is configurable.





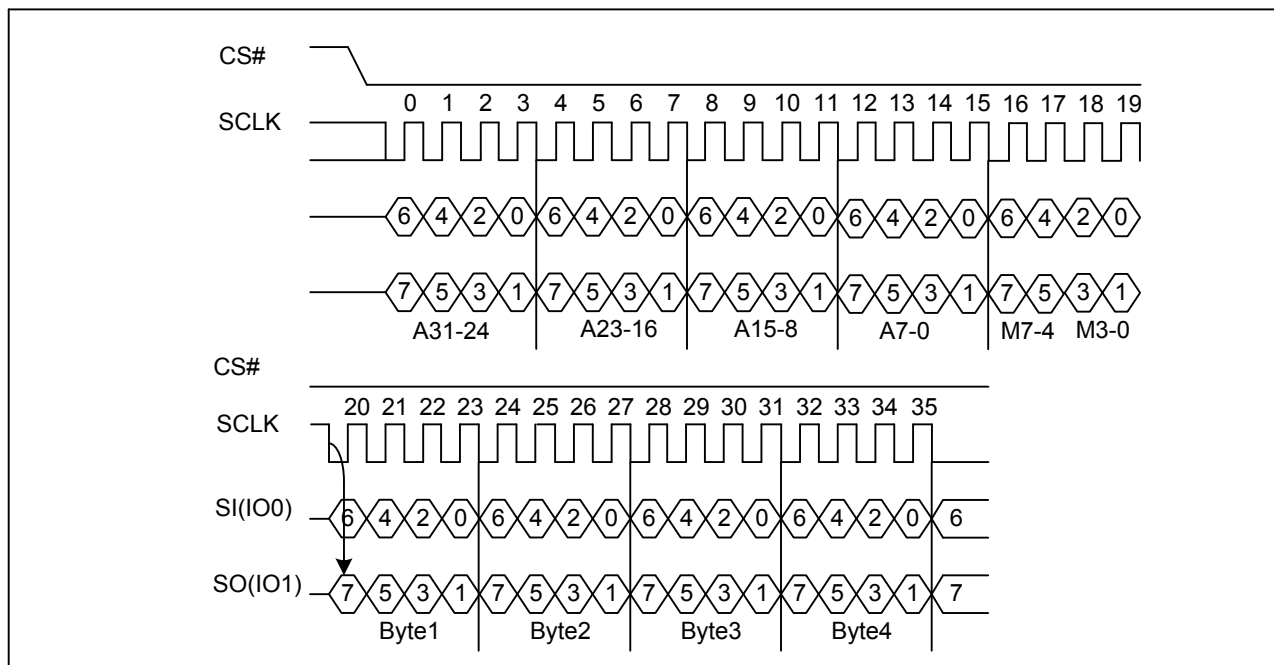
**Figure 24 Dual I/O Fast Read Sequence Diagram (M5-4# (1, 0), ADS=1)**



Note:

- 1. The dummy clock number is configurable.

**Figure 25 Dual I/O Fast Read Sequence Diagram (M5-4# (1, 0) ADS=1)**

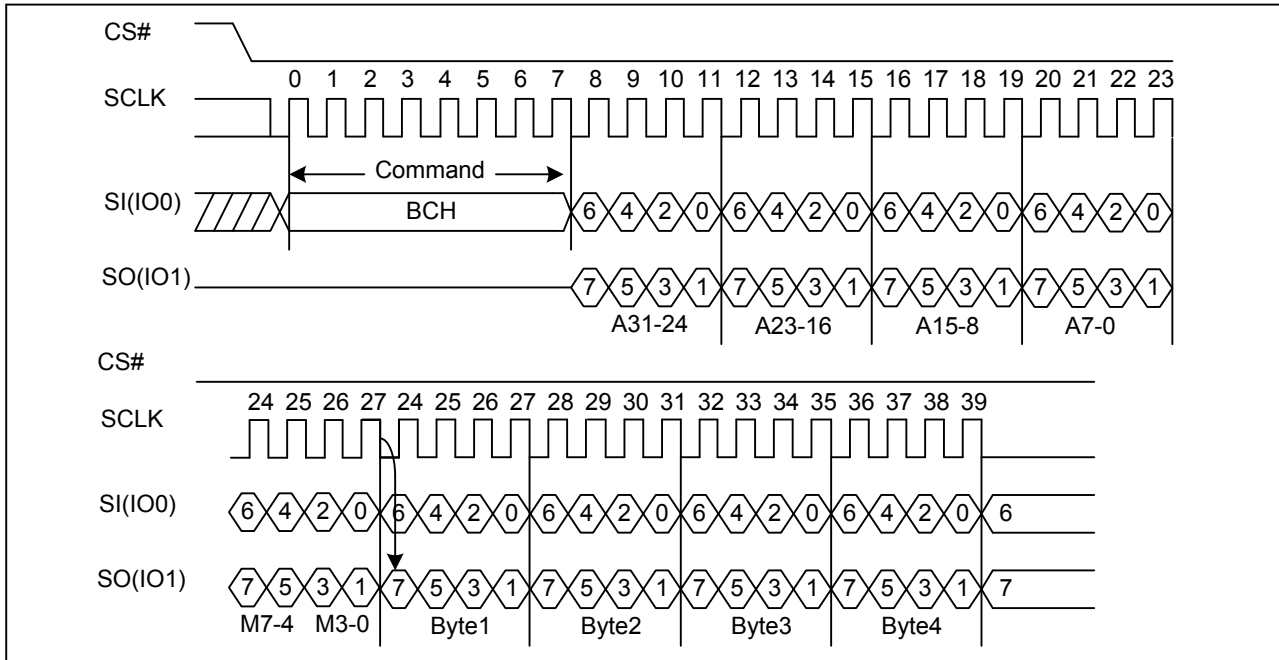


Note:

- 1. The dummy clock number is configurable.



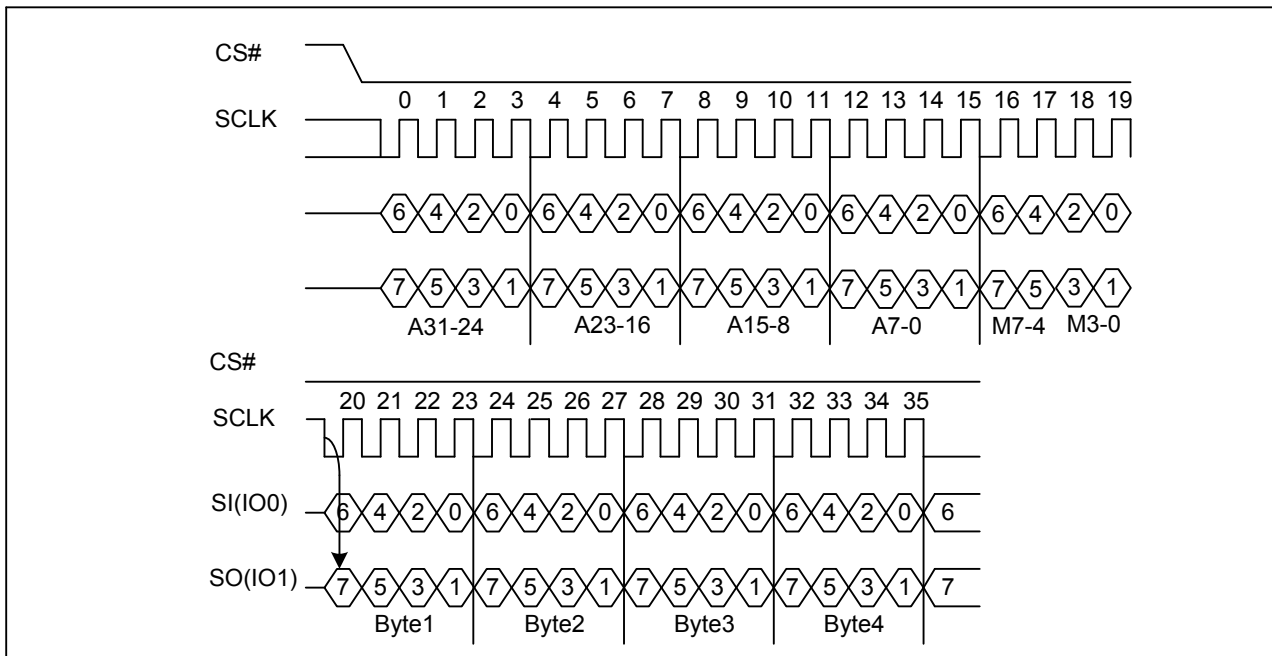
**Figure 26 Dual I/O Fast Read with 4-Byte Address Sequence Diagram (M5-4# (1, 0), ADS=0 or ADS=1)**



Note:

1. The dummy clock number is configurable.

**Figure 27 Dual I/O Fast Read with 4-Byte Address Sequence Diagram (M5-4# (1, 0) ADS=0 or ADS=1)**



Note:

1. The dummy clock number is configurable.



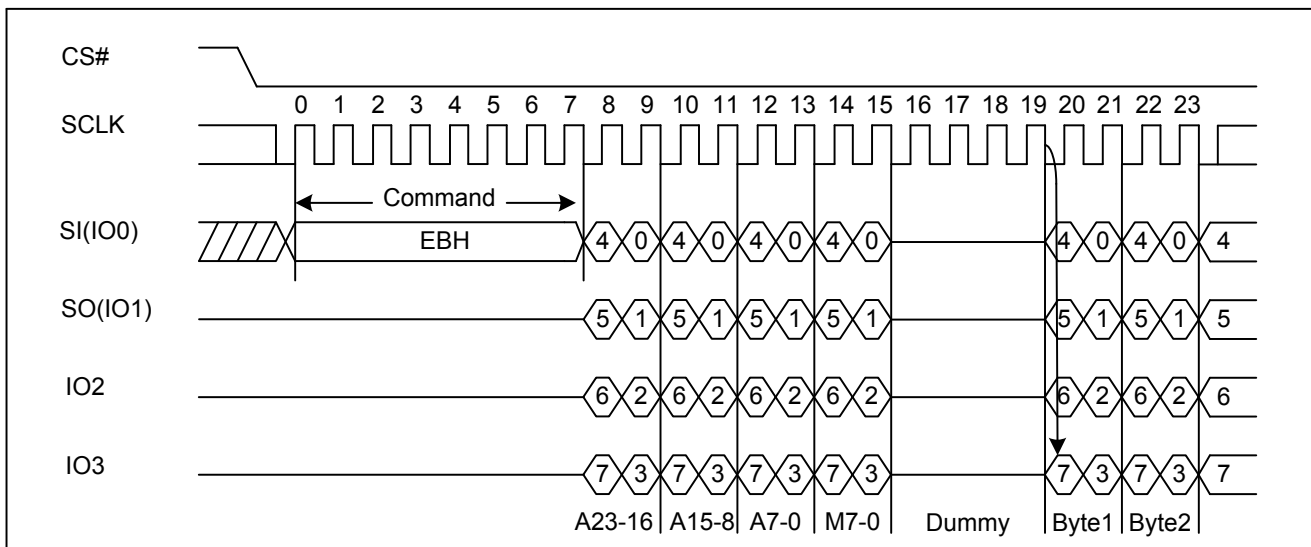
7.13. Quad I/O Fast Read (QIOFR EBH or 4QIOFR ECH)

The Quad I/O Fast Read command is similar to the Dual I/O Fast Read command but with the capability to input the 3-Byte address (A23-0) and a "Continuous Read Mode" Byte and 4-dummy clock 4-bit per clock by IO0, IO1, IO2, IO3, and each bit being latched in on the rising edge of SCLK, then the memory contents are shifted out 4-bit per clock cycle from IO0, IO1, IO2, IO3. The first Byte addressed can be at any location. The address is automatically incremented to the next higher address after each Byte of data is shifted out.

Quad I/O Fast Read with "Continuous Read Mode"

The Quad I/O Fast Read command can further reduce command overhead through setting the "Continuous Read Mode" bits (M7-0) after the input 3-Byte address (A23-A0). If the "Continuous Read Mode" bits (M5-4) = (1, 0), then the next Quad I/O Fast Read command (after CS# is raised and then lowered) does not require the EBH command code. If the "Continuous Read Mode" bits (M5-4) do not equal to (1, 0), the next command requires the command code, thus returning to normal operation. A Reset command can be used to reset (M5-4) before issuing normal command.

Figure 28 Quad I/O Fast Read Sequence Diagram (M5-4≠ (1, 0), ADS=0)

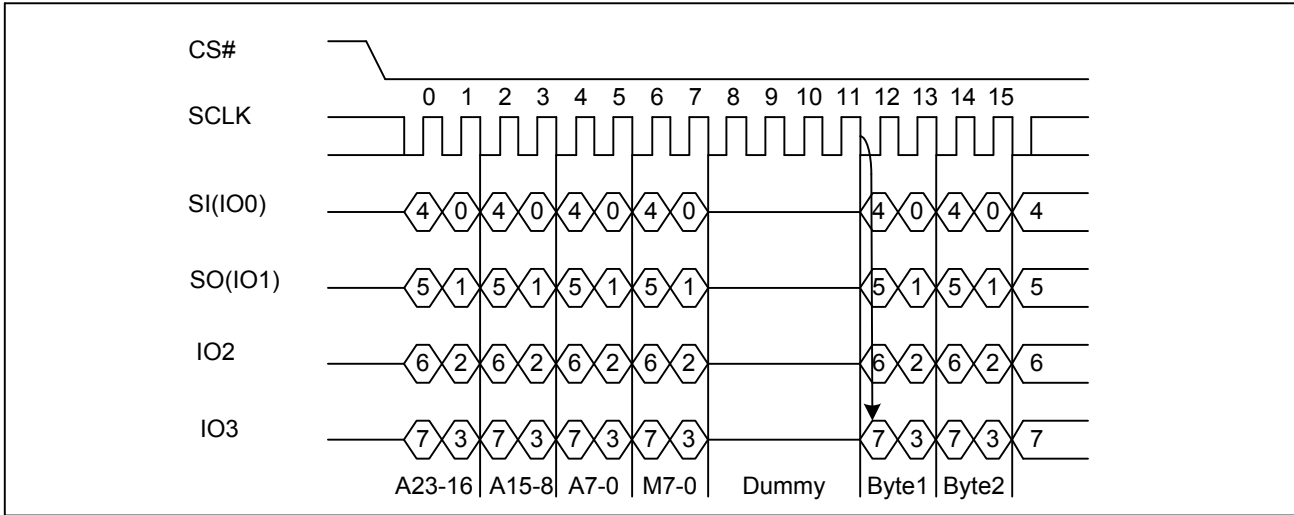


Note:

- 1. The dummy clock number is configurable.



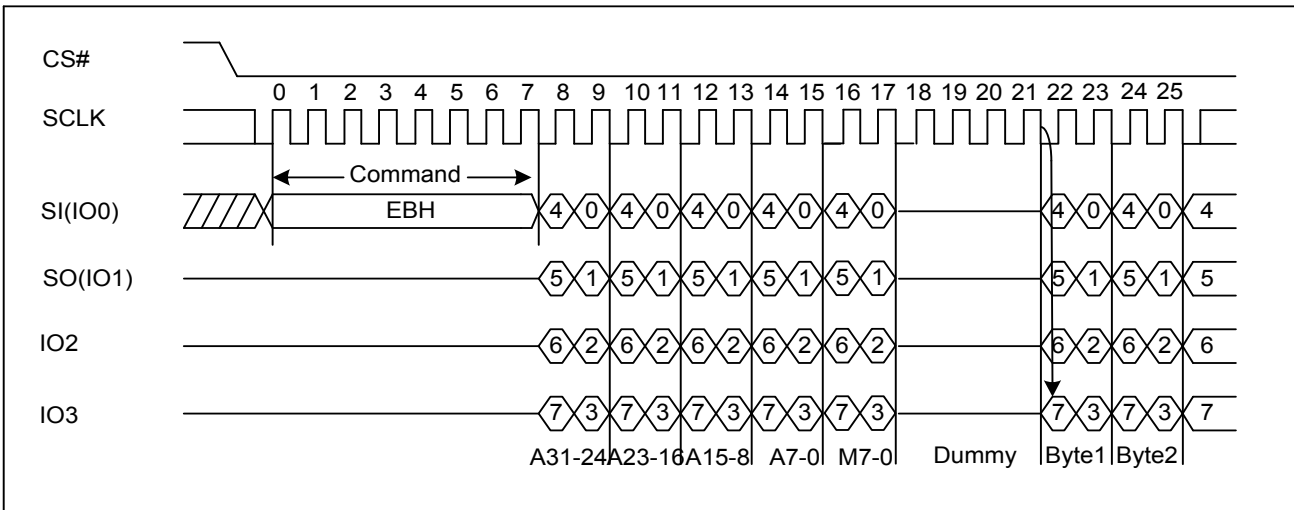
Figure 29 Quad I/O Fast Read Sequence Diagram (M5-4= (1, 0), ADS=0)



Note:

1. The dummy clock number is configurable.

Figure 30 Quad I/O Fast Read Sequence Diagram (M5-4≠ (1, 0), ADS=1)

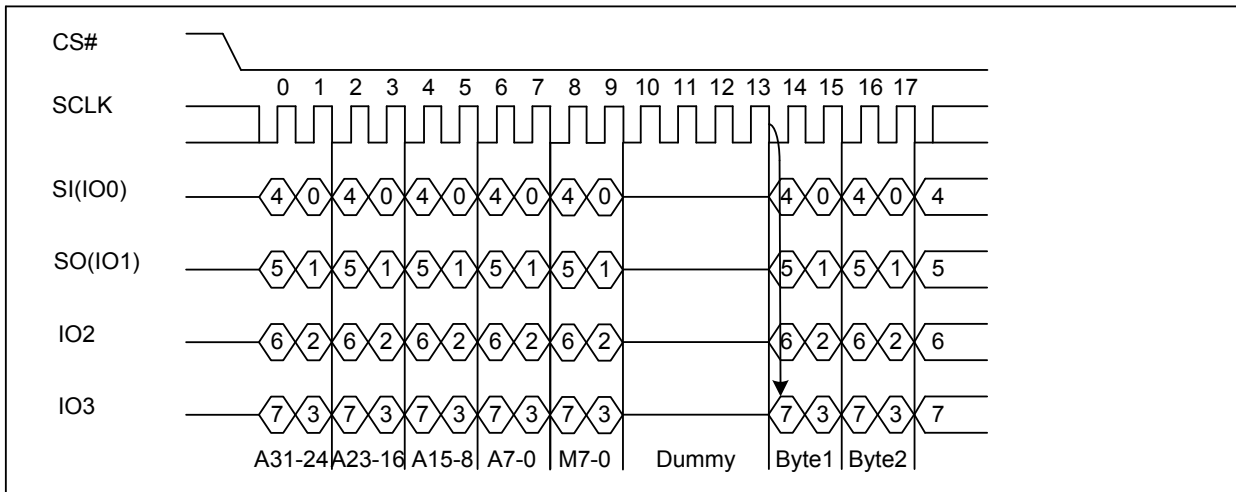


Note:

1. The dummy clock number is configurable.



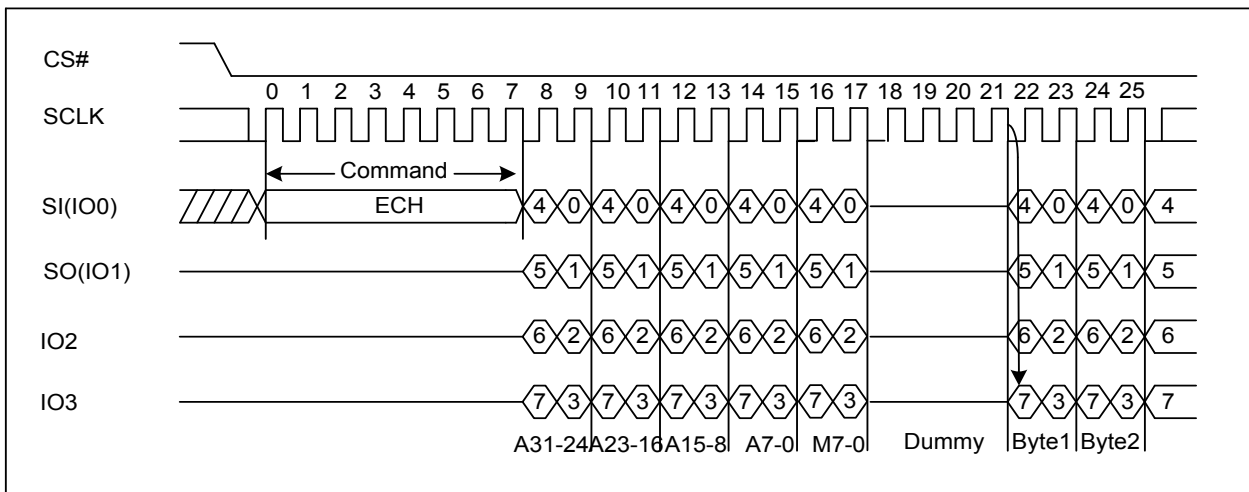
Figure 31 Quad I/O Fast Read Sequence Diagram (M5-4= (1, 0), ADS=1)



Note:

1. The dummy clock number is configurable.

Figure 32 Quad I/O Fast Read with 4-Byte Address Sequence Diagram (M5-4≠ (1, 0), ADS=0 or ADS=1)

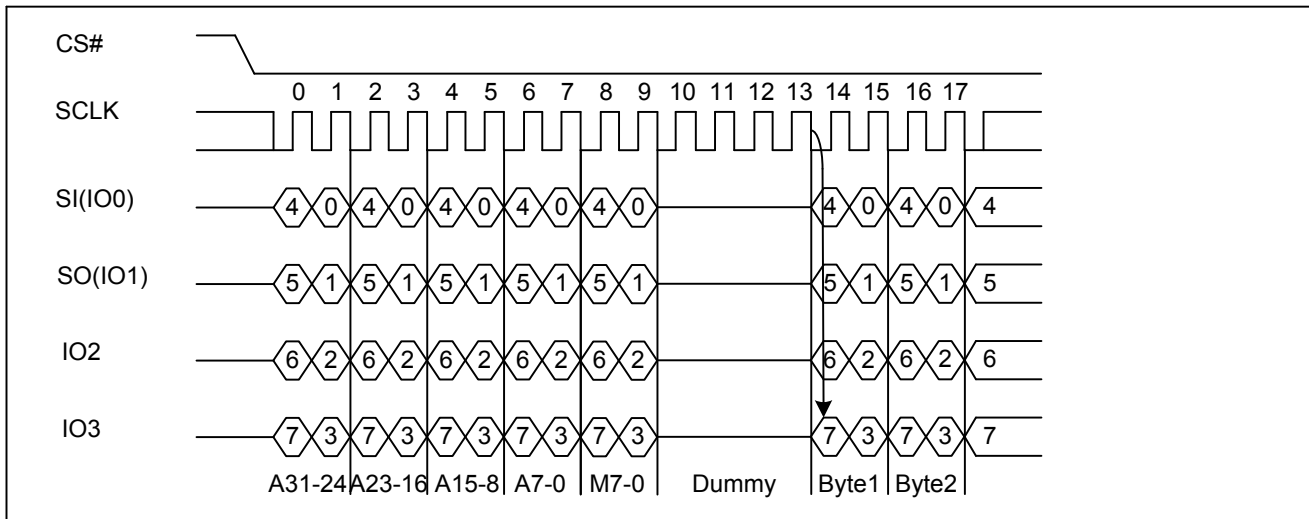


Note:

1. The dummy clock number is configurable.



Figure 33 Quad I/O Fast Read with 4-Byte Address Sequence Diagram (M5-4= (1, 0), ADS=0 or ADS=1)



Note:

1. The dummy clock number is configurable.

### Quad I/O Fast Read with “8/16/32/64-Byte Wrap Around” in Standard SPI mode

The Quad I/O Fast Read command can be used to access a specific portion within a page by issuing “Set Burst with Wrap” (77H) commands prior to EBH or ECH. The “Set Burst with Wrap” (77H) command can either enable or disable the “Wrap Around” feature for the following EBH or ECH commands. When “Wrap Around” is enabled, the data being accessed can be limited to either an 8/16/32/64-Byte section of a 256-Byte page. The output data starts at the initial address specified in the command, once it reaches the ending boundary of the 8/16/32/64-Byte section, the output will wrap around the beginning boundary automatically until CS# is pulled high to terminate the command.

The Burst with Wrap feature allows applications that use cache to quickly fetch a critical address and then fill the cache afterwards within a fixed length (8/16/32/64-Byte) of data without issuing multiple read commands. The “Set Burst with Wrap” command allows three “Wrap Bits” W6-W4 to be set. The W4 bit is used to enable or disable the “Wrap Around” operation while W6-W5 is used to specify the length of the wrap around section within a page.

## 7.14. Set Burst with Wrap (77H)

The Set Burst with Wrap command is used in conjunction with “Quad I/O Fast Read” command to access a fixed length of 8/16/32/64-Byte section within a 256-Byte page, in standard SPI mode.

The Set Burst with Wrap command sequence: CS# goes low → Send Set Burst with Wrap command → Send 24 dummy bits → Send 8 bits “Wrap bits” → CS# goes high.

Table 16 Set Burst with Wrap configuration

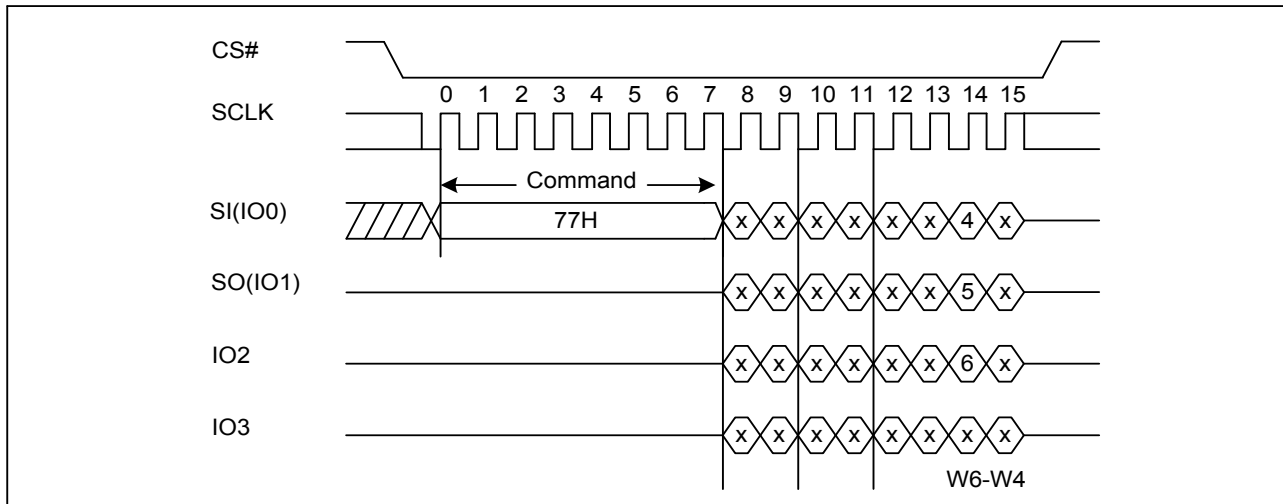
| W6,W5 | W4=0        |             | W4=1 (default) |             |
|-------|-------------|-------------|----------------|-------------|
|       | Wrap Around | Wrap Length | Wrap Around    | Wrap Length |
| 0, 0  | Yes         | 8-Byte      | No             | N/A         |
| 0, 1  | Yes         | 16-Byte     | No             | N/A         |
| 1, 0  | Yes         | 32-Byte     | No             | N/A         |
| 1, 1  | Yes         | 64-Byte     | No             | N/A         |

If the W6-W4 bits are set by the Set Burst with Wrap command, all the following “Quad I/O Fast Read” command will



use the W6-W4 setting to access the 8/16/32/64-Byte section within any page. To exit the “Wrap Around” function and return to normal read operation, another Set Burst with Wrap command should be issued to set W4=1.

Figure 34 Set Burst with Wrap Sequence Diagram



### 7.15. Page Program (PP 02H or 4PP 12H)

The Page Program (PP) command is for programming the memory. A Write Enable (WREN) command must previously have been executed to set the Write Enable Latch (WEL) bit before sending the Page Program command.

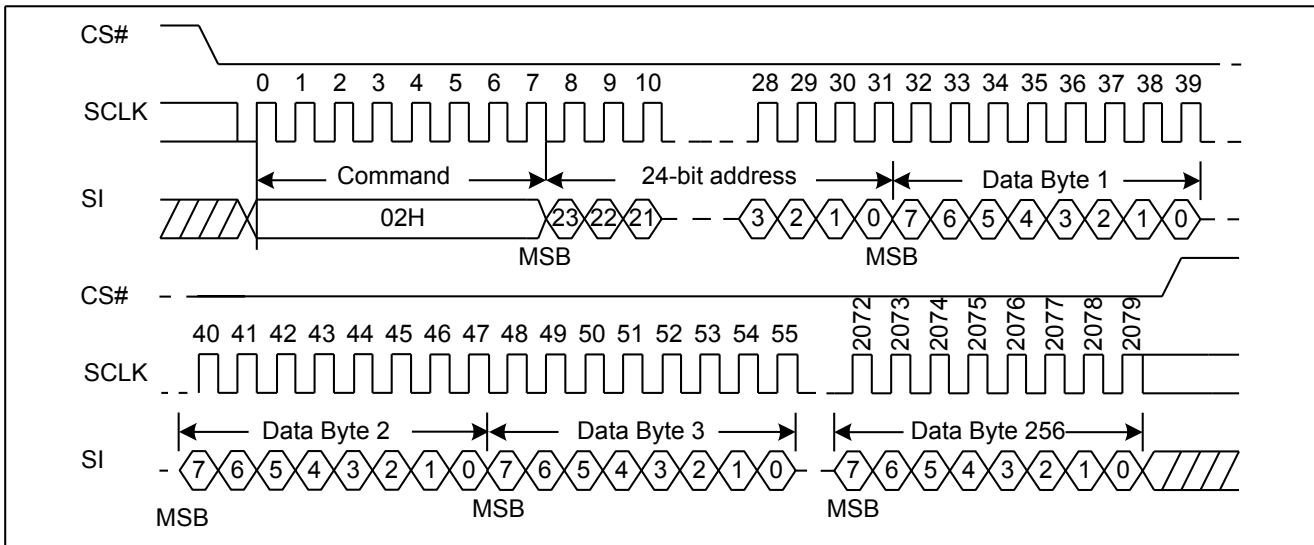
The Page Program (PP) command is entered by driving CS# Low, followed by the command code, three address Bytes and at least one data Byte on SI. If the 8 least significant address bits (A7-A0) are not all zero, all transmitted data that goes beyond the end of the current page are programmed from the start address of the same page (from the address whose 8 least significant bits (A7-A0) are all zero). CS# must be driven low for the entire duration of the sequence. The Page Program command sequence: CS# goes low → sending Page Program command → 3 or 4-Byte address on SI → at least 1 Byte data on SI → CS# goes high. If more than 256 Bytes are sent to the device, previously latched data are discarded and the last 256 data Bytes are guaranteed to be programmed correctly within the same page. If less than 256 data Bytes are sent to device, they are correctly programmed at the requested addresses without having any effects on the other Bytes of the same page. CS# must be driven high after the eighth bit of the last data Byte has been latched in; otherwise the Page Program (PP) command is not executed.

As soon as CS# is driven high, the self-timed Page Program cycle (whose duration is  $t_{PP}$ ) is initiated. While the Page Program cycle is in progress, the Status Register may be read to check the value of the Write in Progress (WIP) bit. The Write in Progress (WIP) bit is 1 during the self-timed Page Program cycle, and is 0 when it is completed. At some unspecified time before the cycle is completed, the Write Enable Latch (WEL) bit is reset.

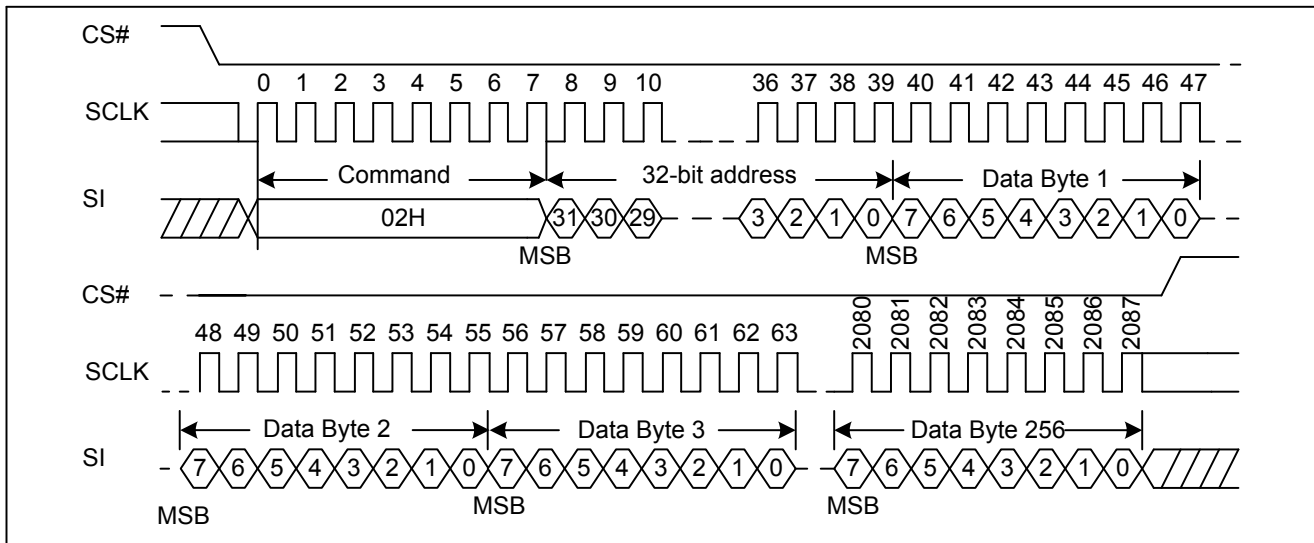
A Page Program (PP) command applied to a page which is protected by the Block Protect (TB, BP3, BP2, BP1, and BP0) is not executed.



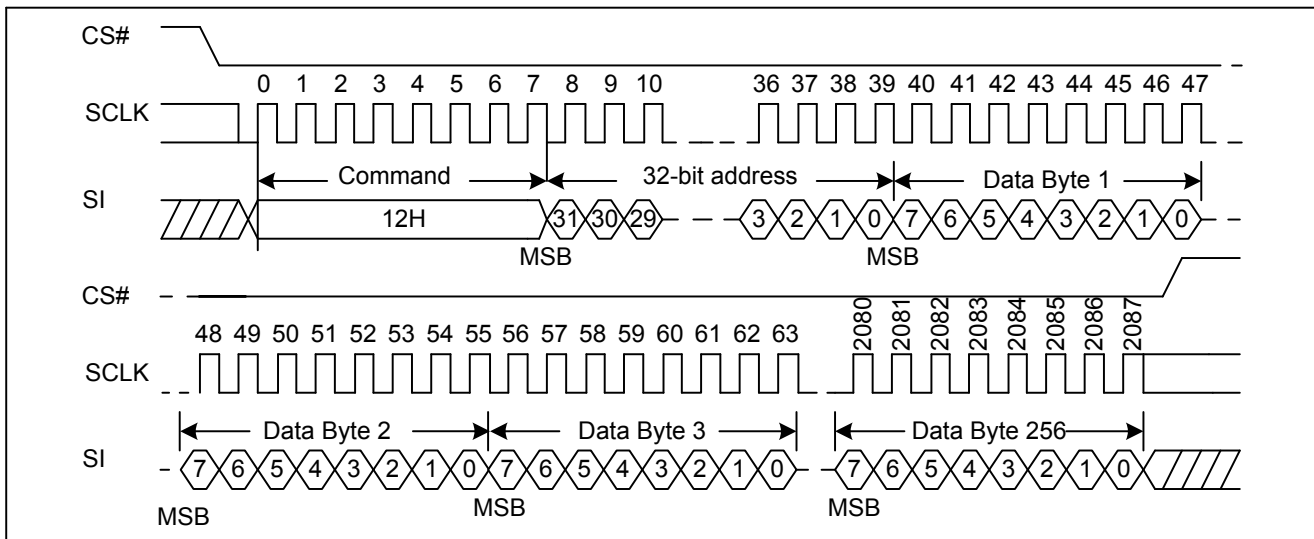
**Figure 35 Page Program Sequence Diagram (ADS=0)**



**Figure 36 Page Program Sequence Diagram (ADS=1)**



**Figure 37 Page Program with 4-Byte Address Sequence Diagram (ADS=0 or ADS=1)**







### 7.16. Quad Page Program (QPP 32H or 4QPP 34H)

The Quad Page Program command is for programming the memory using four pins: IO0, IO1, IO2, and IO3. A Write Enable (WREN) command must previously have been executed to set the Write Enable Latch (WEL) bit before sending the Page Program command. The quad Page Program command is entered by driving CS# Low, followed by the command code (32H), three address Bytes and at least one data Byte on IO pins.

The command sequence is shown below. If more than 256 Bytes are sent to the device, previously latched data are discarded and the last 256 data Bytes are guaranteed to be programmed correctly within the same page. If less than 256 data Bytes are sent to device, they are correctly programmed at the requested addresses without having any effects on the other Bytes of the same page. CS# must be driven high after the eighth bit of the last data Byte has been latched in; otherwise the Quad Page Program (PP) command is not executed.

As soon as CS# is driven high, the self-timed Quad Page Program cycle (whose duration is  $t_{PP}$ ) is initiated. While the Quad Page Program cycle is in progress, the Status Register may be read to check the value of the Write In Progress (WIP) bit. The Write in Progress (WIP) bit is 1 during the self-timed Quad Page Program cycle, and is 0 when it is completed. At some unspecified time before the cycle is completed, the Write Enable Latch (WEL) bit is reset.

A Quad Page Program command applied to a page which is protected by the Block Protect (TB, BP3, BP2, BP1, and BP0) is not executed.

Figure 38 Quad Page Program Sequence Diagram (ADS=0)

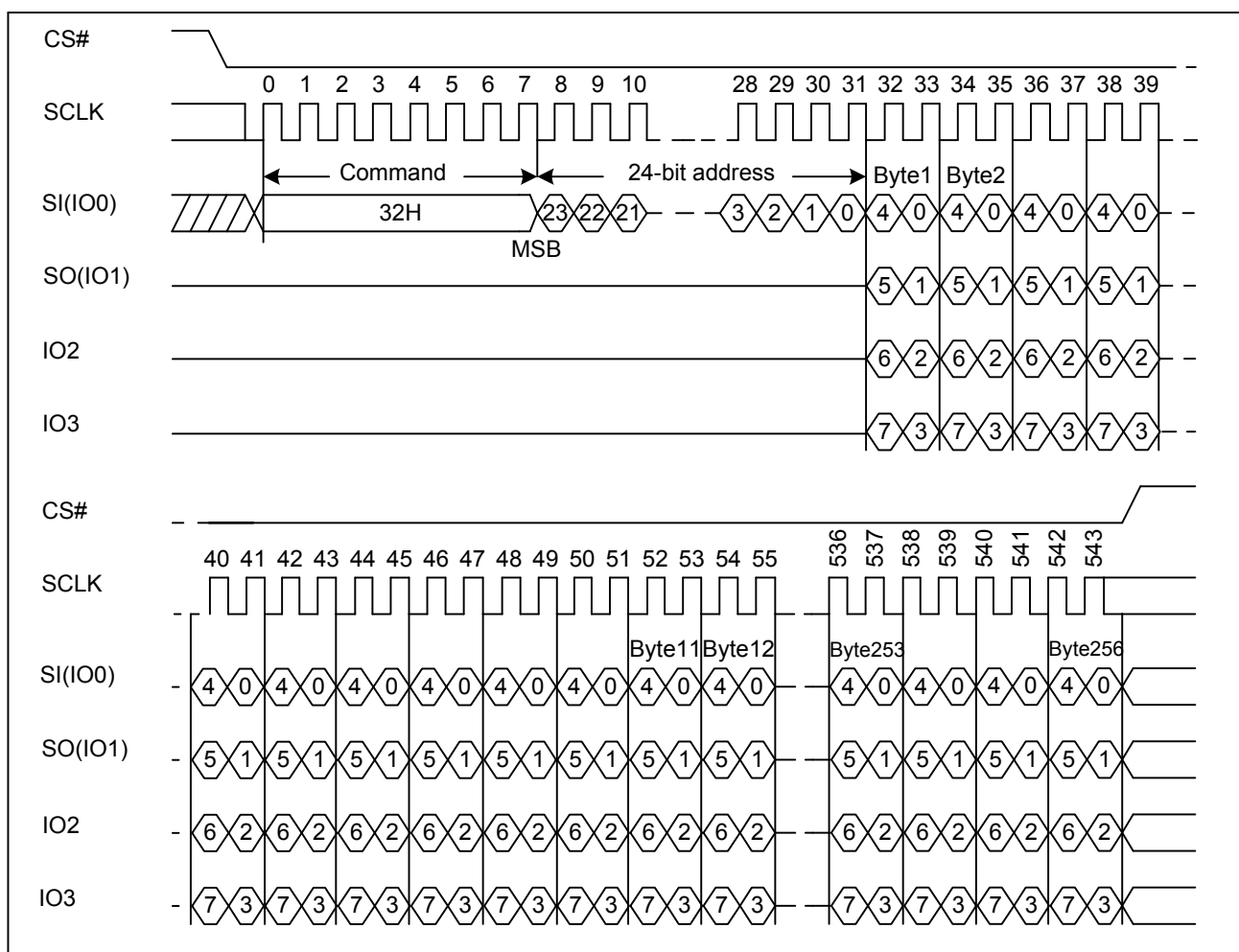
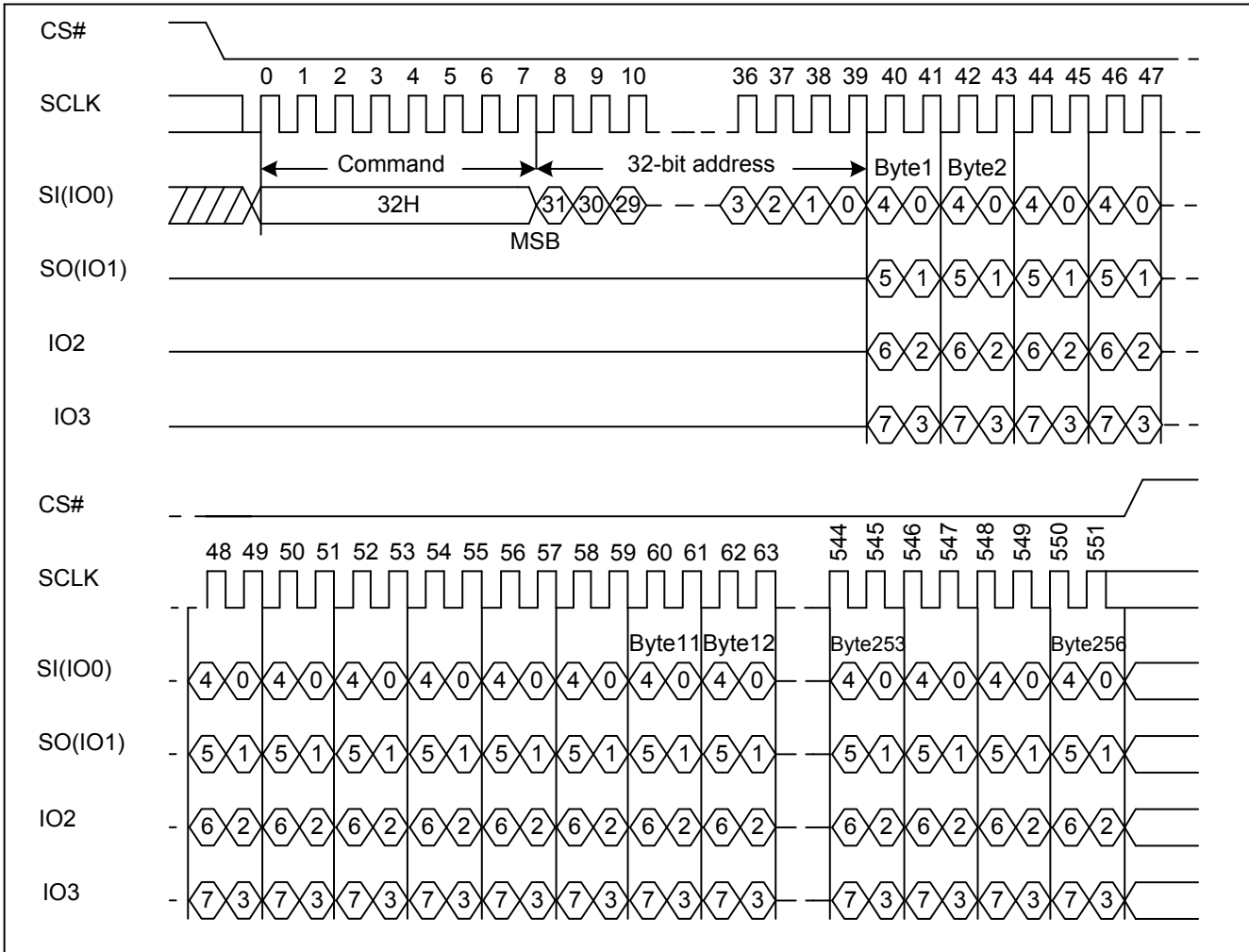


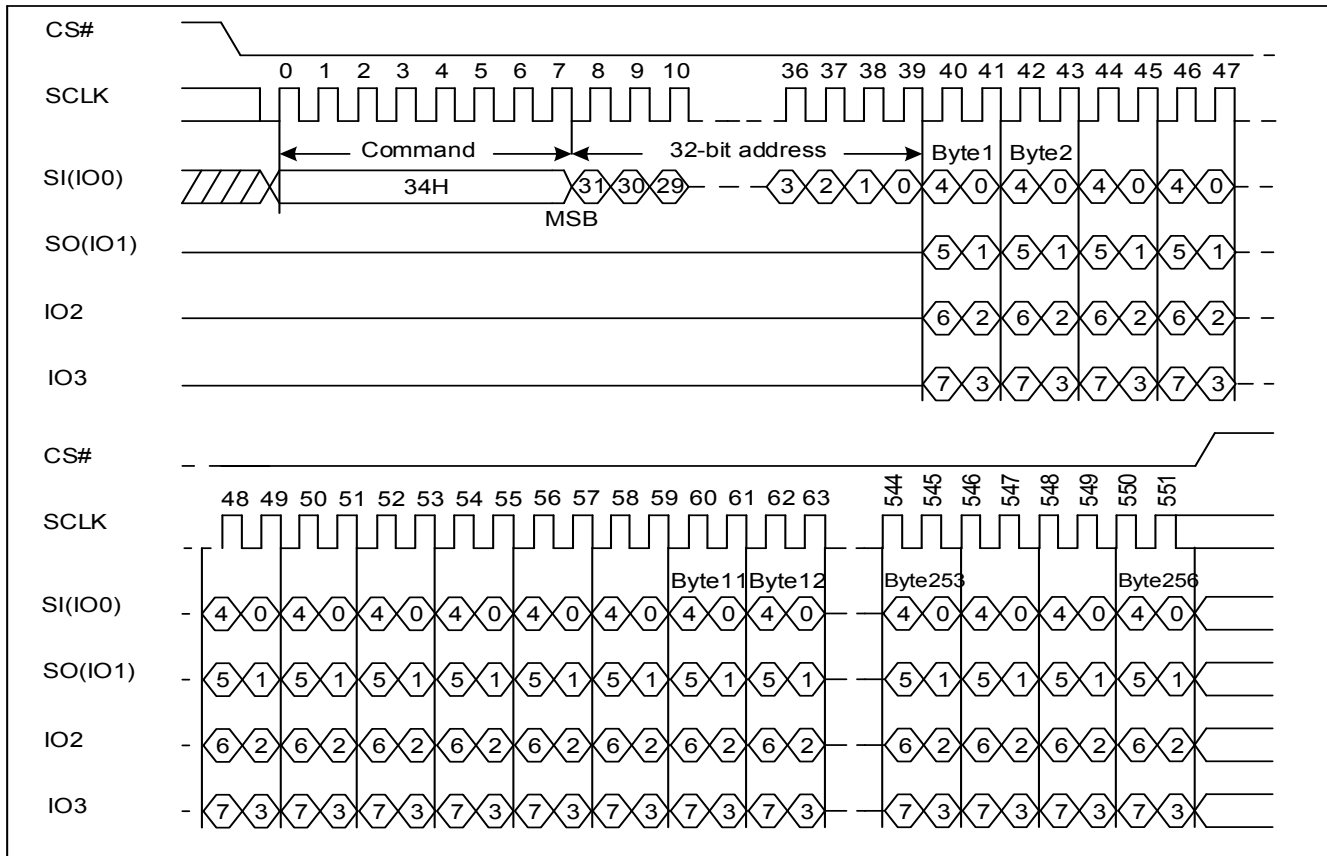


Figure 39 Quad Page Program Sequence Diagram (ADS=1)





**Figure 40 Quad Page Program with 4-Byte Address Sequence Diagram (ADS=0 or ADS=1)**

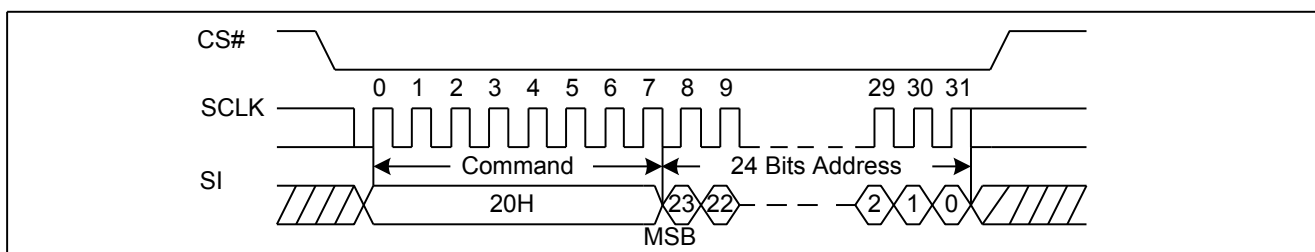


### 7.17. Sector Erase (SE 20H or 4SE 21H)

The Sector Erase (SE) command is used to erase all data of the chosen sector. A Write Enable (WREN) command must previously have been executed to set the Write Enable Latch (WEL) bit. The Sector Erase (SE) command is entered by driving CS# low, followed by the command code, and 3-address Bytes on SI. Any address inside the sector is a valid address for the Sector Erase (SE) command. CS# must be driven low for the entire duration of the sequence.

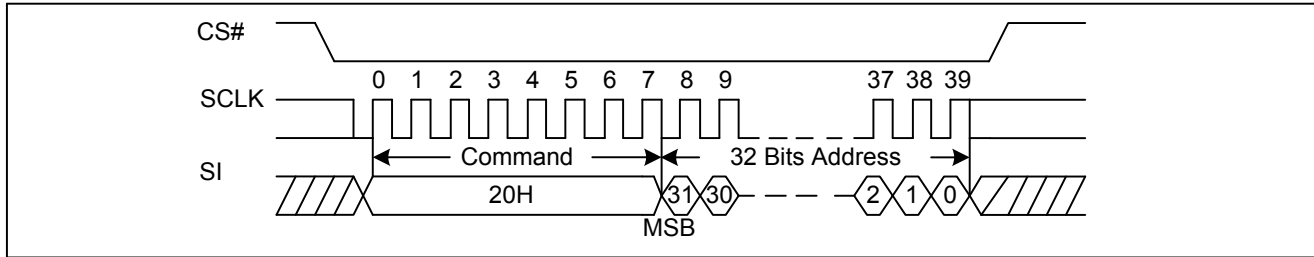
The Sector Erase command sequence: CS# goes low → sending Sector Erase command → 3-Byte address on SI → CS# goes high. CS# must be driven high after the eighth bit of the last address Byte has been latched in; otherwise the Sector Erase (SE) command is not executed. As soon as CS# is driven high, the self-timed Sector Erase cycle (whose duration is  $t_{SE}$ ) is initiated. While the Sector Erase cycle is in progress, the Status Register may be read to check the value of the Write in Progress (WIP) bit. The Write in Progress (WIP) bit is 1 during the self-timed Sector Erase cycle, and is 0 when it is completed. At some unspecified time before the cycle is completed, the Write Enable Latch (WEL) bit is reset. A Sector Erase (SE) command applied to a sector which is protected by the Block Protect (TB, BP3, BP2, BP1, and BP0) bit is not executed.

**Figure 41 Sector Erase Sequence Diagram (ADS=0)**

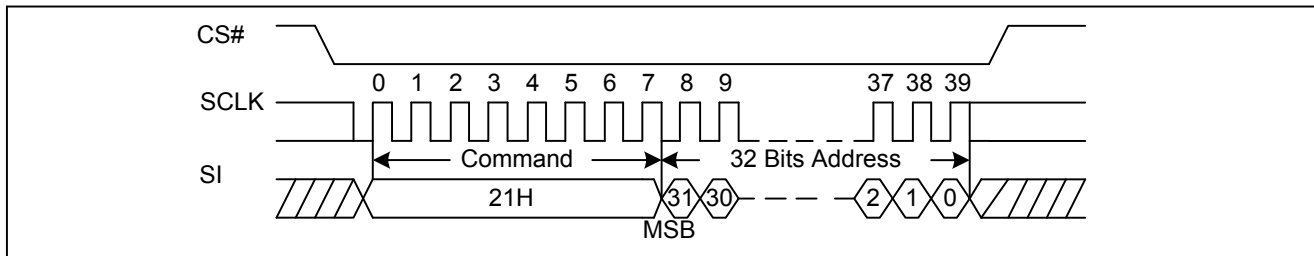




**Figure 42 Sector Erase Sequence Diagram (ADS=1)**



**Figure 43 Sector Erase with 4-Byte Address Sequence Diagram (ADS=0 or ADS=1)**



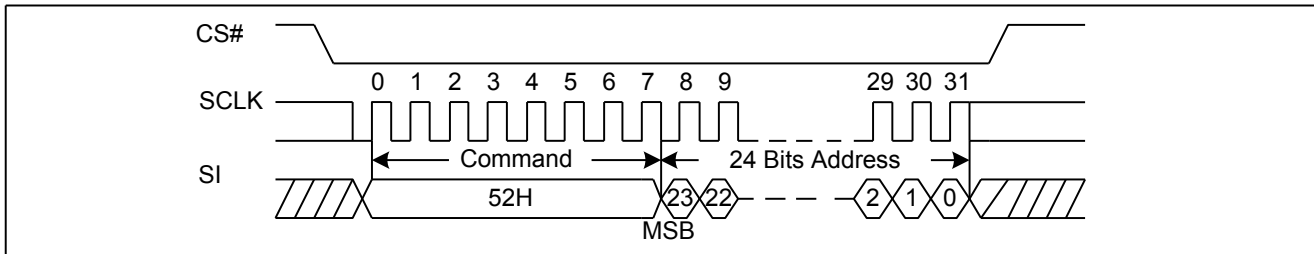
### 7.18. 32KB Block Erase (BE32 52H or 4BE32 5CH)

The 32KB Block Erase (BE) command is erased the all data of the chosen block. A Write Enable (WREN) command must previously have been executed to set the Write Enable Latch (WEL) bit. The 32KB Block Erase (BE) command is entered by driving CS# low, followed by the command code, and three address Bytes on SI. Any address inside the block is a valid address for the 32KB Block Erase (BE) command. CS# must be driven low for the entire duration of the sequence.

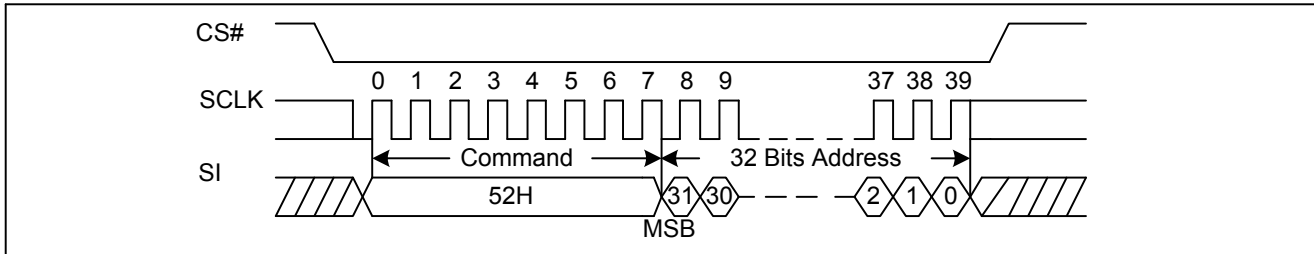
The 32KB Block Erase command sequence: CS# goes low → sending 32KB Block Erase command → 3-Byte address on SI → CS# goes high. CS# must be driven high after the eighth bit of the last address Byte has been latched in; otherwise the 32KB Block Erase (BE) command is not executed. As soon as CS# is driven high, the self-timed Block Erase cycle (whose duration is  $t_{BE}$ ) is initiated. While the Block Erase cycle is in progress, the Status Register may be read to check the value of the Write in Progress (WIP) bit. The Write in Progress (WIP) bit is 1 during the self-timed Block Erase cycle, and is 0 when it is completed. At some unspecified time before the cycle is completed, the Write Enable Latch (WEL) bit is reset. A 32KB Block Erase (BE) command applied to a block which is protected by the Block Protect (TB, BP3, BP2, BP1, and BP0) bits is not executed.



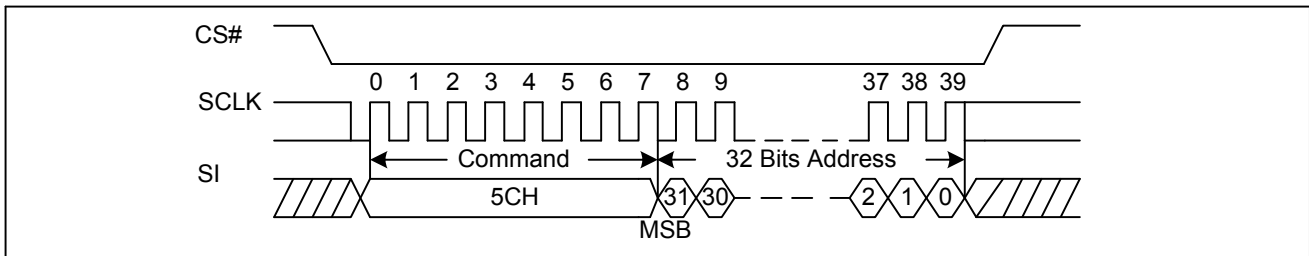
**Figure 44 32KB Block Erase Sequence Diagram (ADS=0)**



**Figure 45 32KB Block Erase Sequence Diagram (ADS=1)**



**Figure 46 32KB Block Erase with 4-Byte Address Sequence Diagram (ADS=0 or ADS=1)**



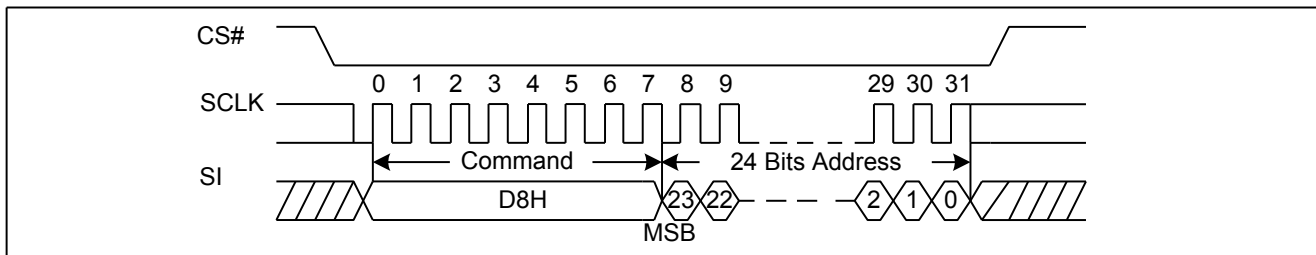
### 7.19. 64KB Block Erase (BE64 D8H or 4BE64 DCH)

The 64KB Block Erase (BE) command is used to erase all data of the chosen block. A Write Enable (WREN) command must previously have been executed to set the Write Enable Latch (WEL) bit. The 64KB Block Erase (BE) command is entered by driving CS# low, followed by the command code, and three address Bytes on SI. Any address inside the block is a valid address for the 64KB Block Erase (BE) command. CS# must be driven low for the entire duration of the sequence.

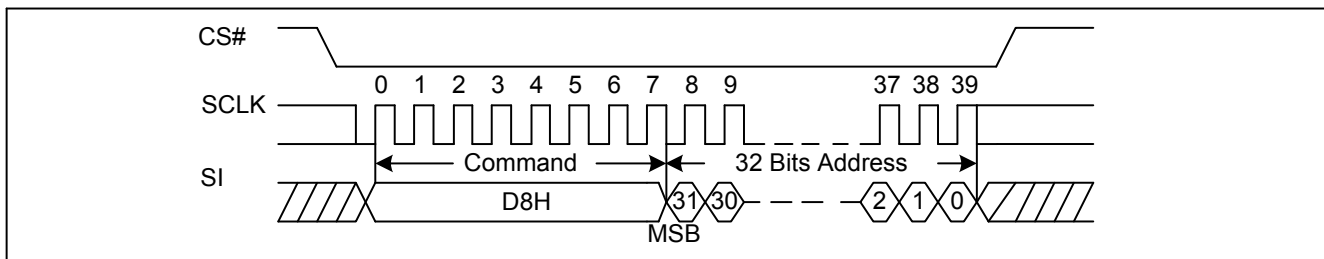
The 64KB Block Erase command sequence: CS# goes low → sending 64KB Block Erase command → 3-Byte address on SI → CS# goes high. CS# must be driven high after the eighth bit of the last address Byte has been latched in; otherwise the 64KB Block Erase (BE) command is not executed. As soon as CS# is driven high, the self-timed Block Erase cycle (whose duration is  $t_{BE}$ ) is initiated. While the Block Erase cycle is in progress, the Status Register may be read to check the value of the Write in Progress (WIP) bit. The Write in Progress (WIP) bit is 1 during the self-timed Block Erase cycle, and is 0 when it is completed. At some unspecified time before the cycle is completed, the Write Enable Latch (WEL) bit is reset. A 64KB Block Erase (BE) command applied to a block which is protected by the Block Protect (TB, BP3, BP2, BP1, and BP0) bits is not executed.



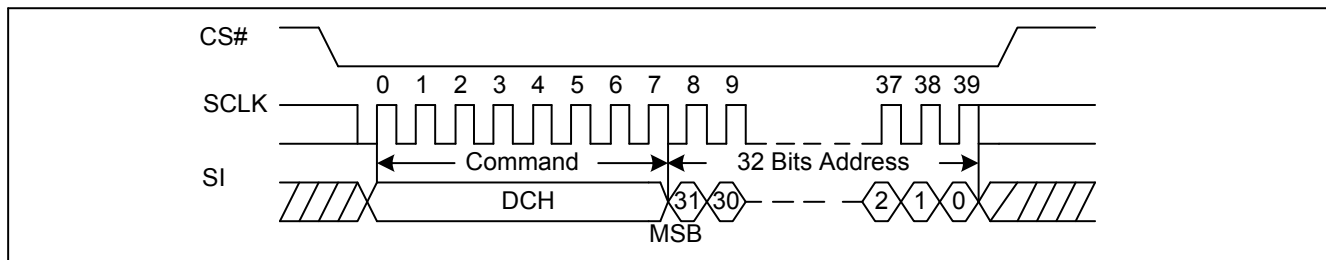
**Figure 47 64KB Block Erase Sequence Diagram (ADS=0)**



**Figure 48 64KB Block Erase Sequence Diagram (ADS=1)**



**Figure 49 64KB Block Erase with 4-Byte Address Sequence Diagram (ADS=0 or ADS=1)**

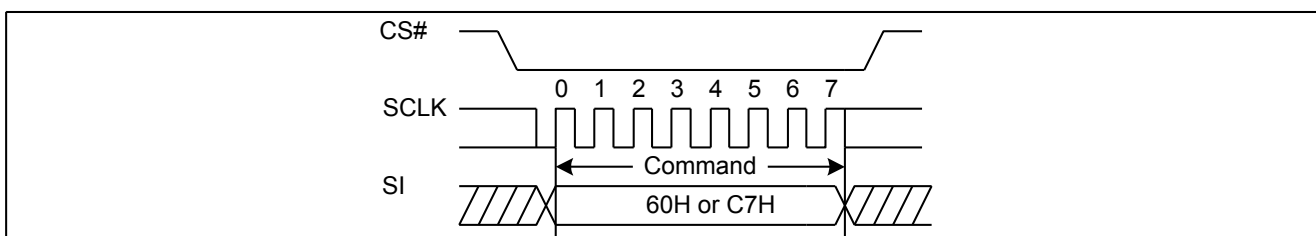


## 7.20. Chip Erase (CE) (60/C7H)

The Chip Erase (CE) command is erased the all data of the chip. A Write Enable (WREN) command must previously have been executed to set the Write Enable Latch (WEL) bit. The Chip Erase (CE) command is entered by driving CS# Low, followed by the command code on Serial Data Input (SI). CS# must be driven Low for the entire duration of the sequence.

The Chip Erase command sequence: CS# goes low → sending Chip Erase command → CS# goes high. CS# must be driven high after the eighth bit of the command code has been latched in; otherwise the Chip Erase command is not executed. As soon as CS# is driven high, the self-timed Chip Erase cycle (whose duration is  $t_{CE}$ ) is initiated. While the Chip Erase cycle is in progress, the Status Register may be read to check the value of the Write in Progress (WIP) bit. The Write in Progress (WIP) bit is 1 during the self-timed Chip Erase cycle, and is 0 when it is completed. At some unspecified time before the cycle is completed, the Write Enable Latch (WEL) bit is reset. The Chip Erase (CE) command is ignored if one or more sectors/blocks are protected.

**Figure 50 Chip Erase Sequence Diagram**





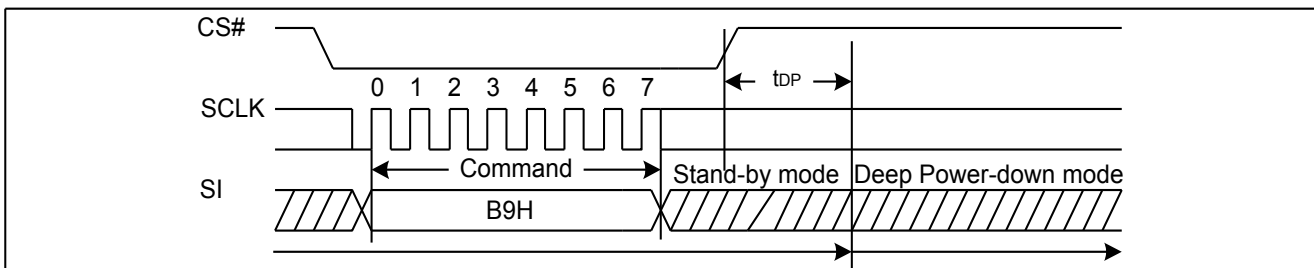
### 7.21. Deep Power-Down (DP) (B9H)

Executing the Deep Power-Down (DP) command is the only way to put the device in the lowest consumption mode (the Deep Power-Down Mode). It can also be used as an extra software protection mechanism, while the device is not in active use, since in this mode, the device ignores all Write, Program and Erase commands. Driving CS# high deselects the device, and puts the device in the Standby Mode (if there is no internal cycle currently in progress). But this mode is not the Deep Power-Down Mode. The Deep Power-Down Mode can only be entered by executing the Deep Power-Down (DP) command. Once the device has entered the Deep Power-Down Mode, all commands are ignored except the Release from Deep Power-Down and Read Device ID (RDI) command or software reset command. The Release from Deep Power-Down and Read Device ID (RDI) command releases the device from Deep Power-Down mode, also allows the Device ID of the device to be output on SO.

The Deep Power-Down Mode automatically stops at Power-Down, and the device always in the Standby Mode after Power-Up.

The Deep Power-Down command sequence: CS# goes low → sending Deep Power-Down command → CS# goes high. CS# must be driven high after the eighth bit of the command code has been latched in; otherwise the Deep Power-Down (DP) command is not executed. As soon as CS# is driven high, it requires a delay of  $t_{DP}$  before the supply current is reduced to  $I_{CC2}$  and the Deep Power-Down Mode is entered. Any Deep Power-Down (DP) command, while an Erase, Program or Write cycle is in progress, is rejected without having any effects on the cycle that is in progress.

Figure 51 Deep Power-Down Sequence Diagram





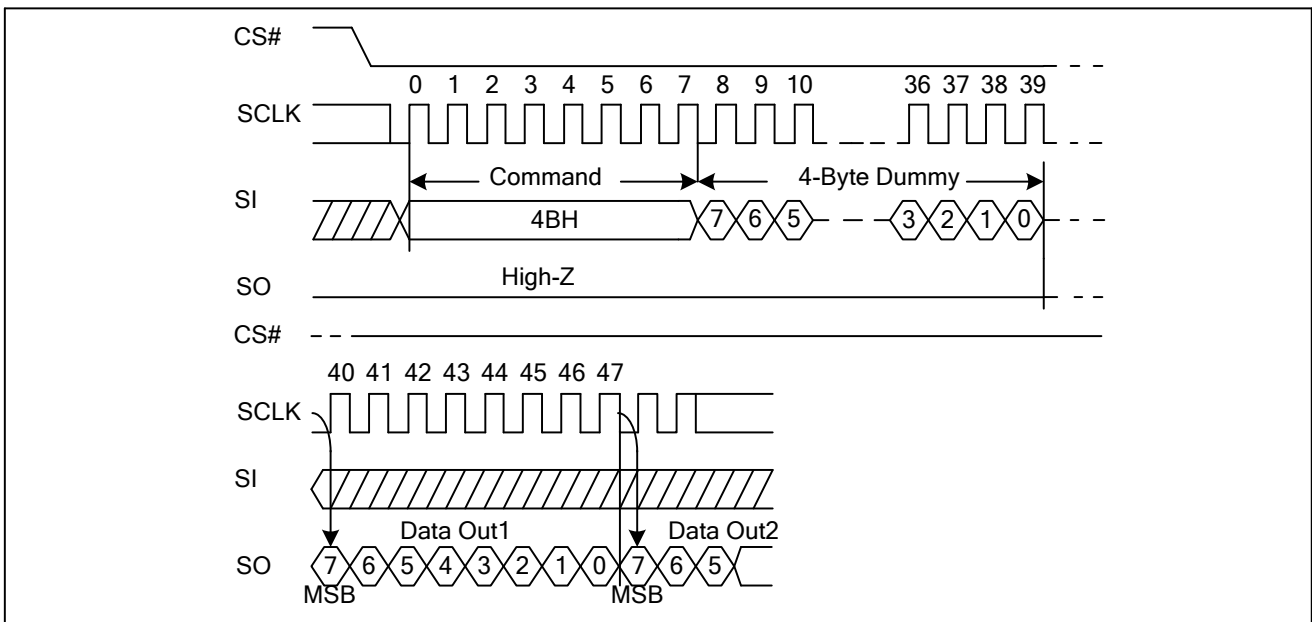
**7.22. Read Unique ID (4BH)**

The Read Unique ID command accesses a factory-set read-only 128bit number that is unique to each device. The Unique ID can be used in conjunction with user software methods to help prevent copying or cloning of a system.

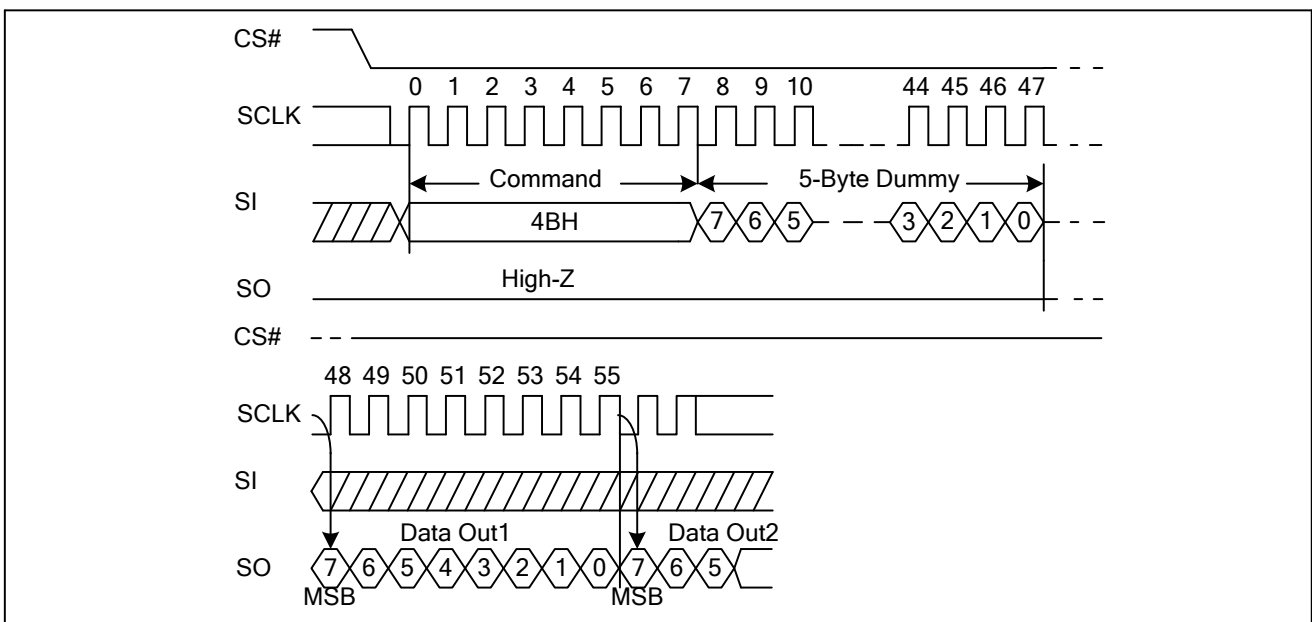
The Read Unique ID command sequence in 3 Byte mode (ADS=0): CS# goes low → sending Read Unique ID command → Dummy Byte1 → Dummy Byte2 → Dummy Byte3 → Dummy Byte4 → 128bit Unique ID Out → CS# goes high.

The Read Unique ID command sequence in 4 Byte mode (ADS=0): CS# goes low → sending Read Unique ID command → Dummy Byte1 → Dummy Byte2 → Dummy Byte3 → Dummy Byte4 → Dummy Byte5 → 128bit Unique ID Out → CS# goes high.

**Figure 52 Read Unique ID Sequence Diagram (ADS=0)**



**Figure 53 Read Unique ID Sequence Diagram (ADS=1)**







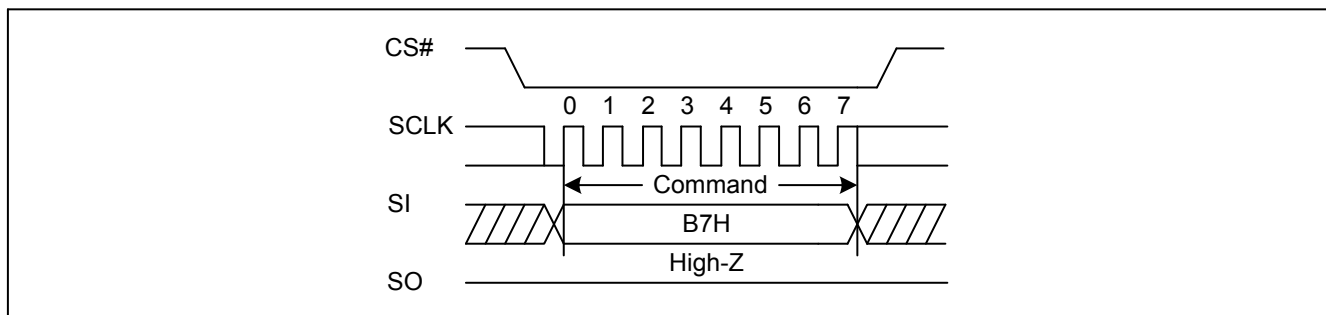
### 7.23. Enter 4-Byte Address Mode (B7H)

The Enter 4-Byte Address Mode command enables accessing the address length of 32-bit for the memory area of higher density (larger than 128Mb). The device default is in 24-bit address mode; after sending out the EN4B instruction, the bit8 (ADS bit) of status register will be automatically set to “1” to indicate the 4-Byte address mode has been enabled. Once the 4-Byte address mode is enabled, the address length becomes 32-bit instead of the default 24-bit.

All instructions are accepted normally, and just the address bit is changed from 24-bit to 32-bit.

The sequence of issuing EN4B instruction is: CS# goes low → sending Enter 4-Byte mode command → CS# goes high.

Figure 54 Enter 4-Byte Address Mode Sequence Diagram

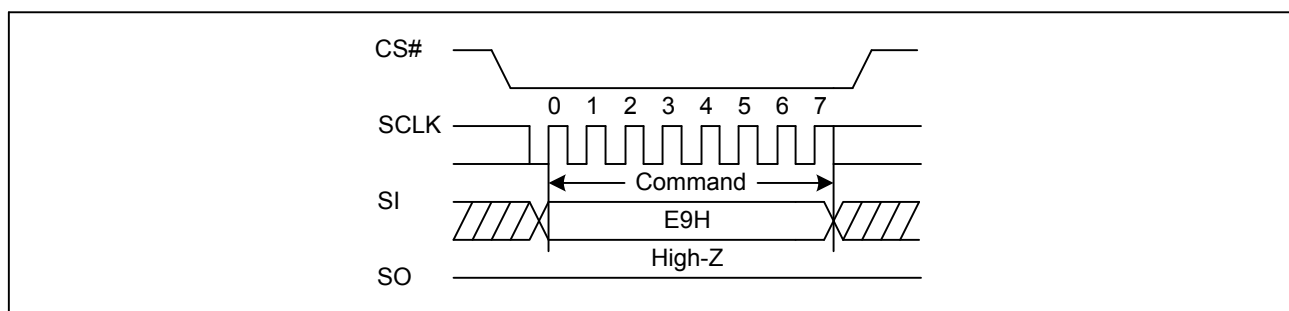


### 7.24. Exit 4-Byte Address Mode (E9H)

The Exit 4-Byte Address Mode command is executed to exit the 4-Byte address mode and return to the default 3-Byte address mode. After sending out the EX4B instruction, the bit8 (ADS bit) of status register will be cleared to “0” to indicate the exit of the 4-Byte address mode. Once exiting the 4-Byte address mode, the address length will return to 24-bit.

The sequence of issuing EN4B instruction is: CS# goes low → sending Exit 4-Byte Address Mode command → CS# goes high.

Figure 55 Exit 4-Byte Address Mode Sequence Diagram

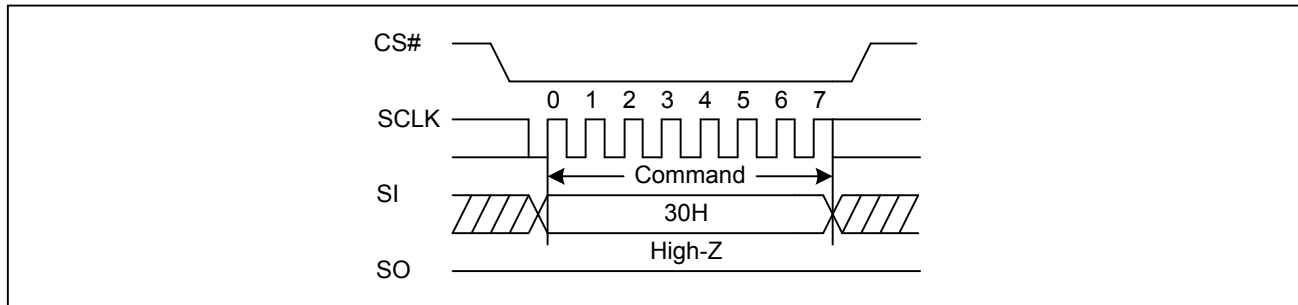




**7.25. Clear SR Flags (30H)**

The Clear Status Register Flags command resets bit S18 (Program Error bit) and S19 (Erase Error bit) from status register. It is not necessary to set the WEL bit before the Clear Status Register command is executed. The Clear SR command will not be accepted when the device remains busy with WIP set to 1. The WEL bit will be unchanged after this command is executed.

**Figure 56 Clear Status Register Flags Sequence Diagram**



**7.26. Release from Deep Power-Down and Read Device ID (RDI) (ABH)**

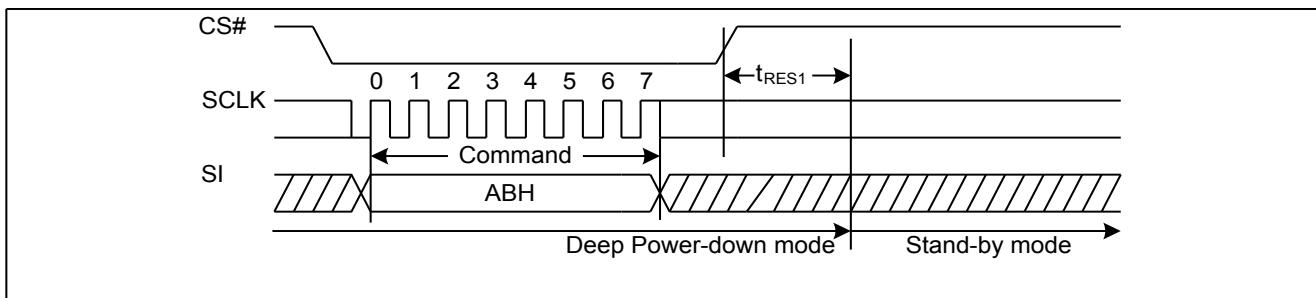
The Release from Power-Down and Read Device ID command is a multi-purpose command. It can be used to release the device from the Power-Down state or obtain the devices electronic identification (ID) number.

To release the device from the Power-Down state, the command is issued by driving the CS# pin low, shifting the instruction code “ABH” and driving CS# high as shown below. Release from Power-Down will take the time duration of  $t_{RES1}$  (See AC Characteristics) before the device will resume normal operation and other command are accepted. The CS# pin must remain high during the  $t_{RES1}$  time duration.

When used only to obtain the Device ID while not in the Power-Down state, the command is initiated by driving the CS# pin low and shifting the instruction code “ABH” followed by 3-dummy Byte. The Device ID bits are then shifted out on the falling edge of SCLK with most significant bit (MSB) first as shown below. The Device ID value is listed in Manufacturer and Device Identification table. The Device ID can be read continuously. The command is completed by driving CS# high.

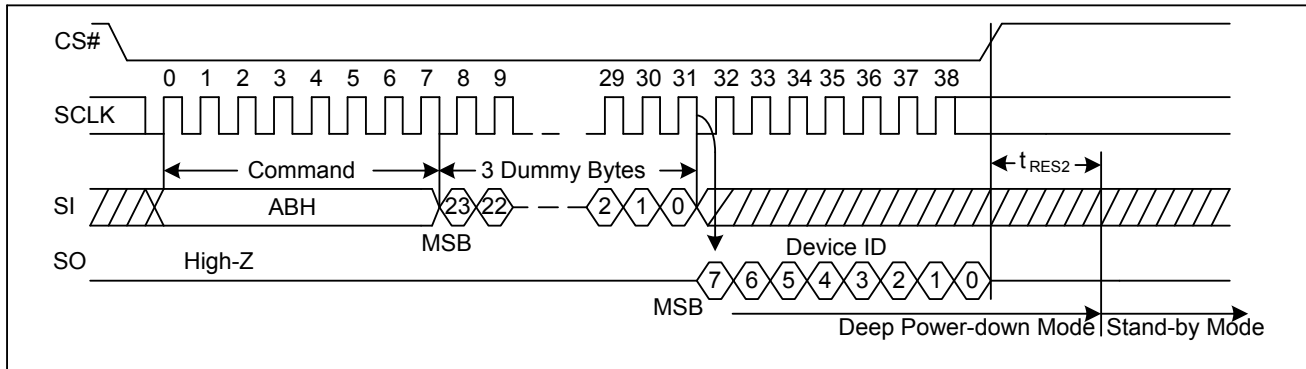
When used to release the device from the Power-Down state and obtain the Device ID, the command is the same as previously described, except that after CS# is driven high it must remain high for a time duration of  $t_{RES2}$  (See AC Characteristics). After this time duration the device will resume normal operation and other command will be accepted. If the Release from Power-Down/ Device ID command is issued while an Erase, Program or Write cycle is in process (when WIP equal 1) the command is ignored and will not have any effects on the current cycle.

**Figure 57 Release Power-Down Sequence Diagram**





**Figure 58 Release Power-Down/Read Device ID Sequence Diagram**

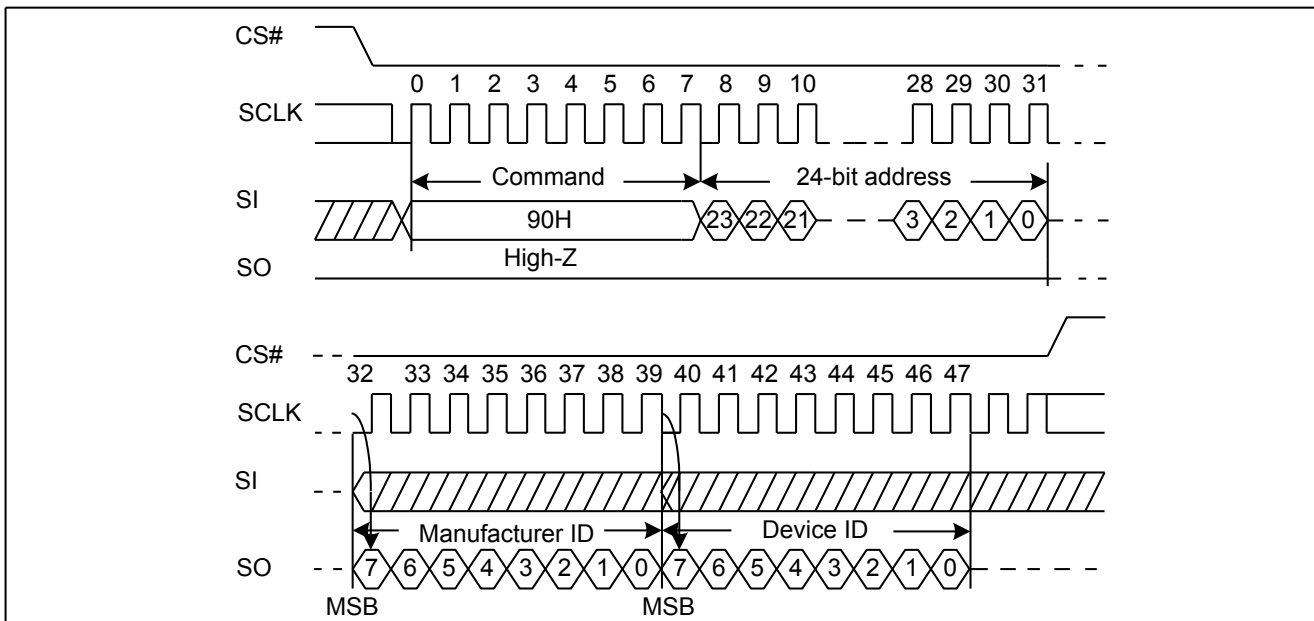


### 7.27. Read Manufacture ID/ Device ID (REMS) (90H)

The Read Manufacturer/Device ID command is an alternative to the Release from Power-Down / Device ID command that provides both the JEDEC assigned Manufacturer ID and the specific Device ID.

The command is initiated by driving the CS# pin low and shifting the command code "90H" followed by a 24-bit address (A23-A0) of 000000H. After which, the Manufacturer ID and the Device ID are shifted out on the falling edge of SCLK with most significant bit (MSB) first as shown below. If the 24-bit address is initially set to 000001H, the Device ID will be read first.

**Figure 59 Read Manufacture ID/ Device ID Sequence Diagram**



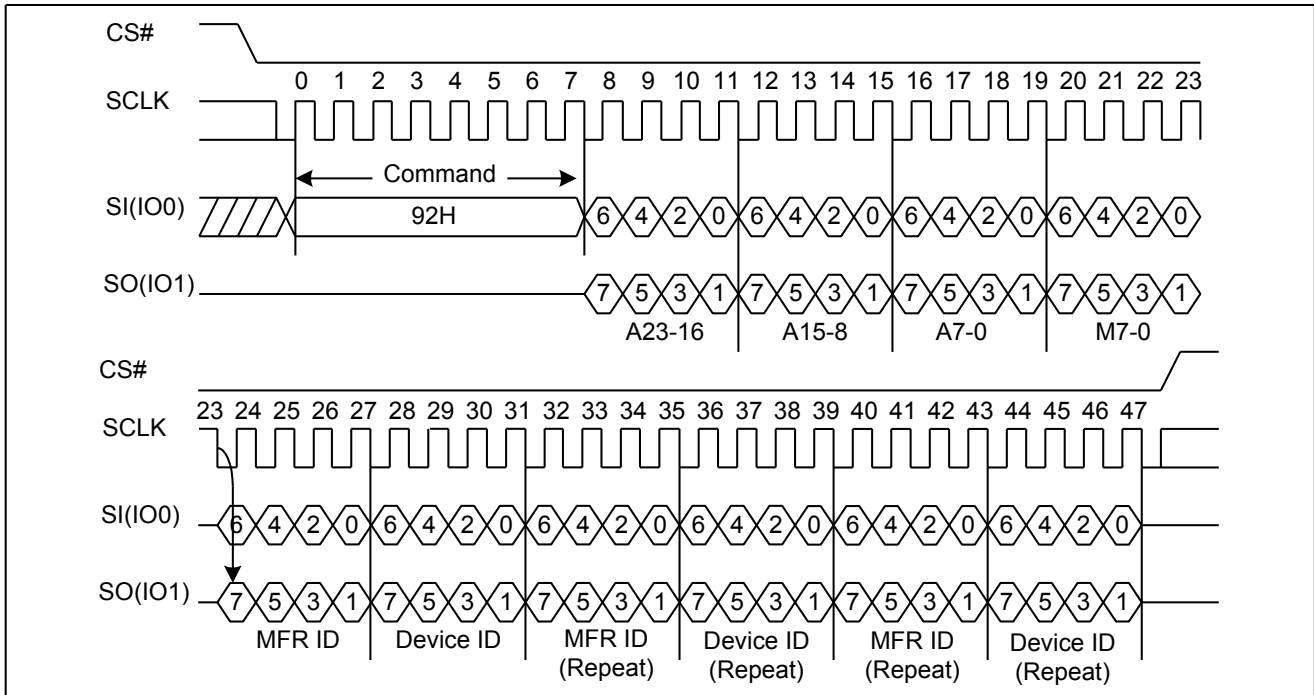


**7.28. Read Manufacture ID/ Device ID Dual I/O (92H)**

The Read Manufacturer/Device ID Dual I/O command is an alternative to the Release from Power-Down / Device ID command that provides both the JEDEC assigned Manufacturer ID and the specific Device ID by dual I/O.

The command is initiated by driving the CS# pin low and shifting the command code “92H” followed by a 24-bit address (A23-A0) of 000000H. After which, the Manufacturer ID and the Device ID are shifted out on the falling edge of SCLK with most significant bit (MSB) first as shown in Figure 60. If the 24-bit address is initially set to 000001H, the Device ID will be read first.

**Figure 60. Read Manufacture ID/ Device ID Dual I/O Sequence Diagram**



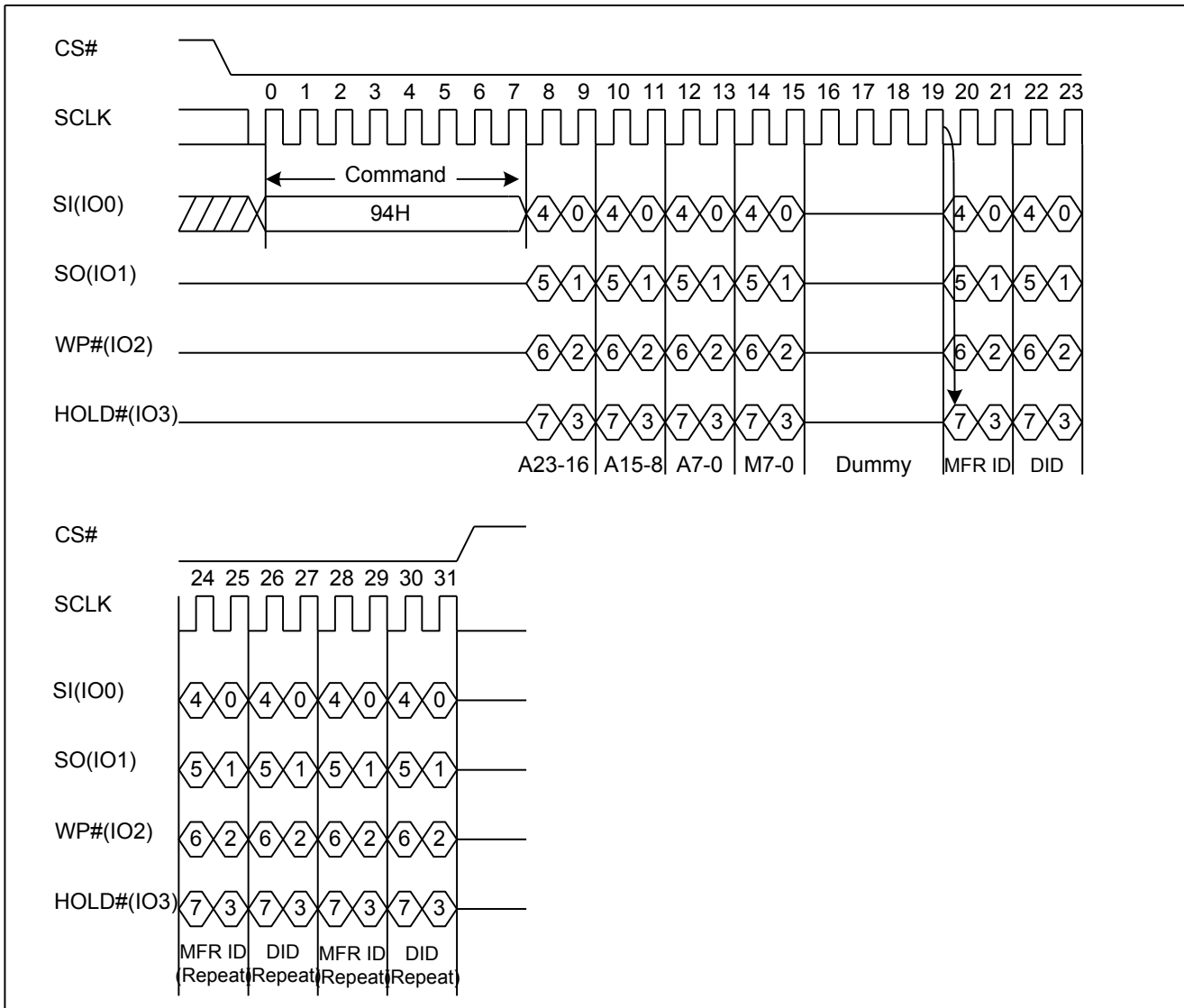


**7.29. Read Manufacture ID/ Device ID Quad I/O (94H)**

The Read Manufacturer/Device ID Quad I/O command is an alternative to the Release from Power-Down / Device ID command that provides both the JEDEC assigned Manufacturer ID and the specific Device ID by quad I/O.

The command is initiated by driving the CS# pin low and shifting the command code “94H” followed by a 24-bit address (A23-A0) of 000000H. After which, the Manufacturer ID and the Device ID are shifted out on the falling edge of SCLK with most significant bit (MSB) first as shown in Figure 61. If the 24-bit address is initially set to 000001H, the Device ID will be read first.

**Figure 61. Read Manufacture ID/ Device ID Quad I/O Sequence Diagram**



**7.30. Read Identification (RDID) (9FH)**

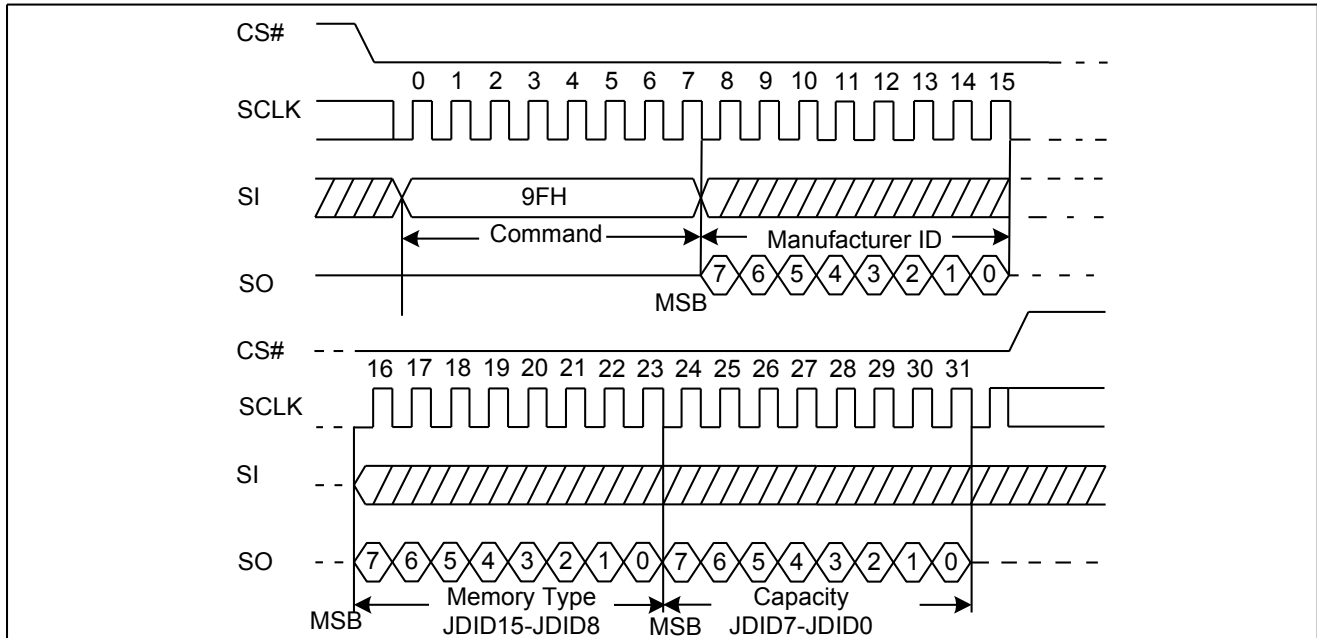
The Read Identification (RDID) command allows the 8-bit manufacturer identification to be read, followed by two Bytes of device identification. The device identification indicates the memory type in the first Byte, and the memory capacity of the device in the second Byte. The Read Identification (RDID) command while an Erase or Program cycle is in progress is not decoded, and has no effect on the cycle that is in progress. The Read Identification (RDID) command should not be issued while the device is in Deep Power-Down Mode.

The device is first selected by driving CS# low. Then, the 8-bit command code for the command is shifted in. This is followed by the 24-bit device identification, stored in the memory. Each bit is shifted out on the falling edge of Serial Clock.



The Read Identification (RDID) command is terminated by driving CS# high at any time during data output. When CS# is driven high, the device is in the Standby Mode. Once in the Standby Mode, the device waits to be selected, so that it can receive, decode and execute commands.

**Figure 62 Read Identification ID Sequence Diagram**



**7.31. Program/Erase Suspend (PES) (75H)**

The Program/Erase Suspend command “75H”, allows the system to interrupt a page program or sector/block erase operation and then read data from any other sector or block. The Write Status Register command (01H/31H/11H) and Erase/Program Security Registers command (44H,42H) and Erase commands (20H, 52H, D8H, C7H, 60H) and Page Program command (02H / 32H) are not allowed during Program suspend. The Write Status Register command (01H/31H/11H) and Erase Security Registers command (44H) and Erase commands (20H, 52H, D8H, C7H, 60H) are not allowed during Erase suspend. Program/Erase Suspend is valid only during the page program or sector/block erase operation. A maximum of time of “tsus” (See AC Characteristics) is required to suspend the program/erase operation.

**Table 17 Commands Allowed During Program or Erase Suspend**

| Command Name                 | Code (Hex) | Allowed During Erase Suspend | Allowed During Program Suspend | Comment   |
|------------------------------|------------|------------------------------|--------------------------------|---|
| Write Enable                 | 06         | Yes                          |                                | Required for program command within erase suspend.  |
| Read Status Register-1       | 05         | Yes                          | Yes                            | Needed to read WIP to determine end of suspend process.   |
| Read Status Register-2       | 35         | Yes                          | Yes                            | Needed to read suspend status to determine whether the operation is suspended or complete.                    |
| Read Status Register-3       | 15         | Yes                          | Yes                            | Needed to read suspend status to determine whether the operation is suspended or complete.                    |
| Read Extended Addr. Register | C8         | Yes                          | Yes                            | Extended Addr. Register may need to be changed during a suspend to reach a sector needed for read or program. |



### 3.3V Uniform Sector

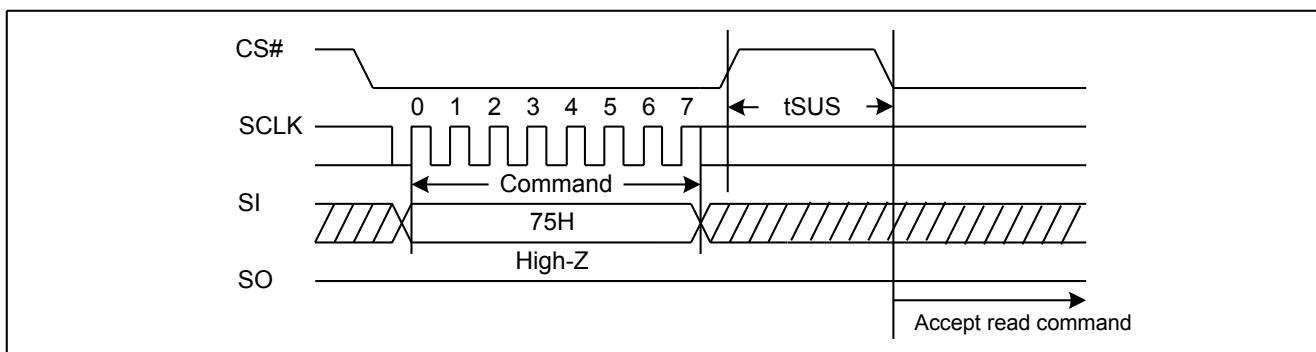
## GigaDevice Dual and Quad Serial Flash

## GD25B256D

|                               |    |     |     |   |
|-------------------------------|----|-----|-----|---|
| Write Extended Addr. Register | C5 | Yes | Yes | Extended Addr. Register may need to be changed during a suspend to reach a sector needed for read or program. |
| Read                          | 03 | Yes | Yes | All array reads allowed in suspend.   |
| 4Read                         | 13 | Yes | Yes | All array reads allowed in suspend.   |
| Fast Read                     | 0B | Yes | Yes | All array reads allowed in suspend.   |
| 4Fast Read                    | 0C | Yes | Yes | All array reads allowed in suspend.   |
| Dual I/O Fast Read            | BB | Yes | Yes | All array reads allowed in suspend.   |
| 4Dual I/O Fast Read           | BC | Yes | Yes | All array reads allowed in suspend.   |
| Dual Output Fast Read         | 3B | Yes | Yes | All array reads allowed in suspend.   |
| 4Dual Output Fast Read        | 3C | Yes | Yes | All array reads allowed in suspend.   |
| Quad I/O Fast Read            | EB | Yes | Yes | All array reads allowed in suspend.   |
| 4Quad I/O Fast Read           | EC | Yes | Yes | All array reads allowed in suspend.   |
| Quad Output Fast Read         | 6B | Yes | Yes | All array reads allowed in suspend.   |
| 4Quad Output Fast Read        | 6C | Yes | Yes | All array reads allowed in suspend.   |
| Page Program                  | 02 | Yes |     | Required for array program during erase suspend.  |
| 4Page Program                 | 12 | Yes |     | Required for array program during erase suspend.  |
| Quad Page Program             | 32 | Yes |     | Required for array program during erase suspend.  |
| 4Quad Page Program            | 34 | Yes |     | Required for array program during erase suspend.  |
| Program/Erase Resume          | 7A | Yes |     | Required to resume from erase/program suspend.  |
| Enable Reset                  | 66 | Yes | Yes | Reset allowed anytime.  |
| Reset                         | 99 | Yes | Yes | Reset allowed anytime.  |

The Program/Erase Suspend command will be accepted by the device only if the SUS2/SUS1 bit in the Status Register equal to 0 and WIP bit equal to 1 while a Page Program or a Sector or Block Erase operation is on-going. If the SUS2/SUS1 bit equal to 1 or WIP bit equal to 0, the Suspend command will be ignored by the device. The WIP bit will be cleared from 1 to 0 within "tsus" and the SUS2/SUS1 bit will be set from 0 to 1 immediately after Program/Erase Suspend. A power-off during the suspend period will reset the device and release the suspend state.

**Figure 63 Program/Erase Suspend Sequence Diagram**

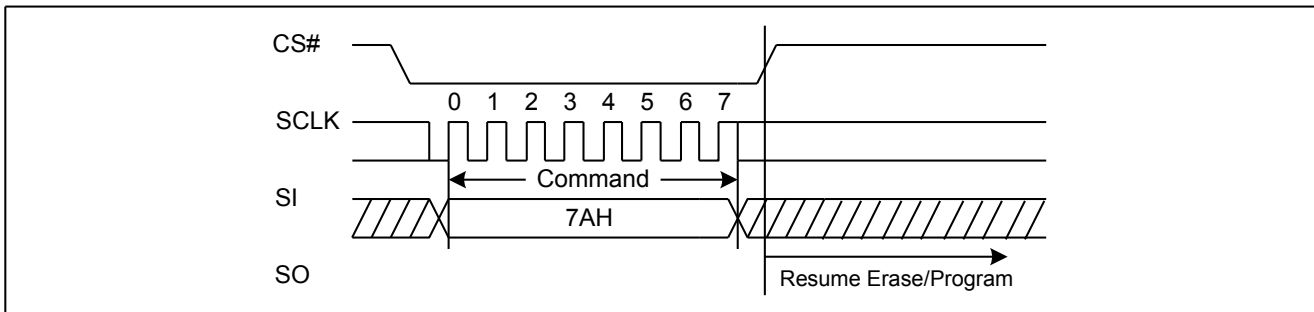




**7.32. Program/Erase Resume (PER) (7AH)**

The Program/Erase Resume command must be written to resume the program or sector/block erase operation after a Program/Erase Suspend command. The Program/Erase Resume command will be accepted by the device only if the SUS2/SUS1 bit equal to 1 and the WIP bit equal to 0. After issued the SUS2/SUS1 bit in the status register will be cleared from 1 to 0 immediately, the WIP bit will be set from 0 to 1 within 200ns and the Sector or Block will complete the erase operation or the page will complete the program operation. The Program/Erase Resume command will be ignored unless a Program/Erase Suspend is active.

**Figure 64 Program/Erase Resume Sequence Diagram**



**7.33. Erase Security Registers (44H)**

The GD25B256D provides three 2048-Byte Security Registers which can be erased and programmed individually. These registers may be used by the system manufacturers to store security and other important information separately from the main memory array.

The Erase Security Registers command is similar to Sector/Block Erase command. A Write Enable (WREN) command must previously have been executed to set the Write Enable Latch (WEL) bit.

The Erase Security Registers command sequence: CS# goes low → sending Erase Security Registers command → 3 or 4-Byte address on SI → CS# goes high. The command sequence is shown below. CS# must be driven high after the eighth bit of the last address Byte has been latched in; otherwise the Erase Security Registers command is not executed. As soon as CS# is driven high, the self-timed Erase Security Registers cycle (whose duration is  $t_{SE}$ ) is initiated. While the Erase Security Registers cycle is in progress, the Status Register may be read to check the value of the Write in Progress (WIP) bit. The Write in Progress (WIP) bit is 1 during the self-timed Erase Security Registers cycle, and is 0 when it is completed. At some unspecified time before the cycle is completed, the Write Enable Latch (WEL) bit is reset. The Security Registers Lock Bit (LB3-1) in the Status Register can be used to OTP protect the security registers. Once the LB bit is set to 1, the Security Registers will be permanently locked; the Erase Security Registers command will be ignored.

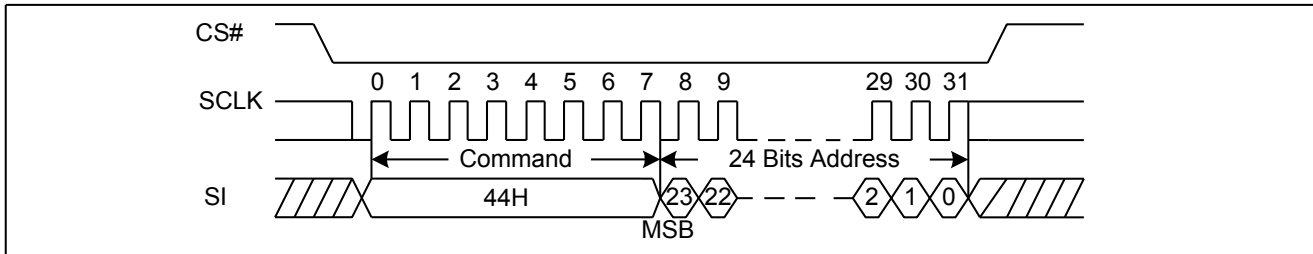
**Table 18 Security Registers**

| Address              | A23-16 | A15-12  | A11 | A10-0      |
|----------------------|--------|---------|-----|------------|
| Security Register #1 | 00H    | 0 0 0 1 | 0   | Don't care |
| Security Register #2 | 00H    | 0 0 1 0 | 0   | Don't care |
| Security Register #3 | 00H    | 0 0 1 1 | 0   | Don't care |

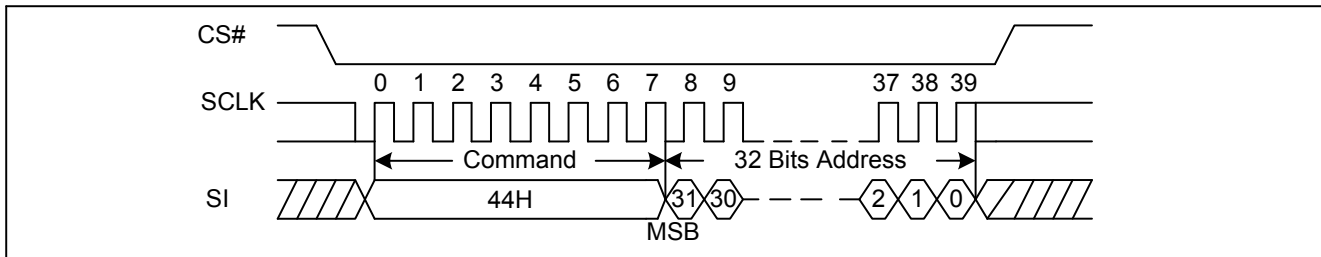




**Figure 65 Erase Security Registers command Sequence Diagram (ADS=0)**



**Figure 66 Erase Security Registers command Sequence Diagram (ADS=1)**



### 7.34. Program Security Registers (42H)

The Program Security Registers command is similar to the Page Program command. Each security register contains four pages content. A Write Enable (WREN) command must previously have been executed to set the Write Enable Latch (WEL) bit before sending the Program Security Registers command. The Program Security Registers command is entered by driving CS# Low, followed by the command code (42H), three address Bytes and at least one data Byte on SI. As soon as CS# is driven high, the self-timed Program Security Registers cycle (whose duration is  $t_{PP}$ ) is initiated. While the Program Security Registers cycle is in progress, the Status Register may be read to check the value of the Write in Progress (WIP) bit. The Write in Progress (WIP) bit is 1 during the self-timed Program Security Registers cycle, and is 0 when it is completed. At some unspecified time before the cycle is completed, the Write Enable Latch (WEL) bit is reset.

If the Security Registers Lock Bit (LB3-1) is set to 1, the Security Registers will be permanently locked. Program Security Registers command will be ignored.

**Table 19 Security Registers**

| Address              | A23-16 | A15-12  | A11 | A10-0        |
|----------------------|--------|---------|-----|--------------|
| Security Register #1 | 00H    | 0 0 0 1 | 0   | Byte Address |
| Security Register #2 | 00H    | 0 0 1 0 | 0   | Byte Address |
| Security Register #3 | 00H    | 0 0 1 1 | 0   | Byte Address |



Figure 67 Program Security Registers command Sequence Diagram (ADS=0)

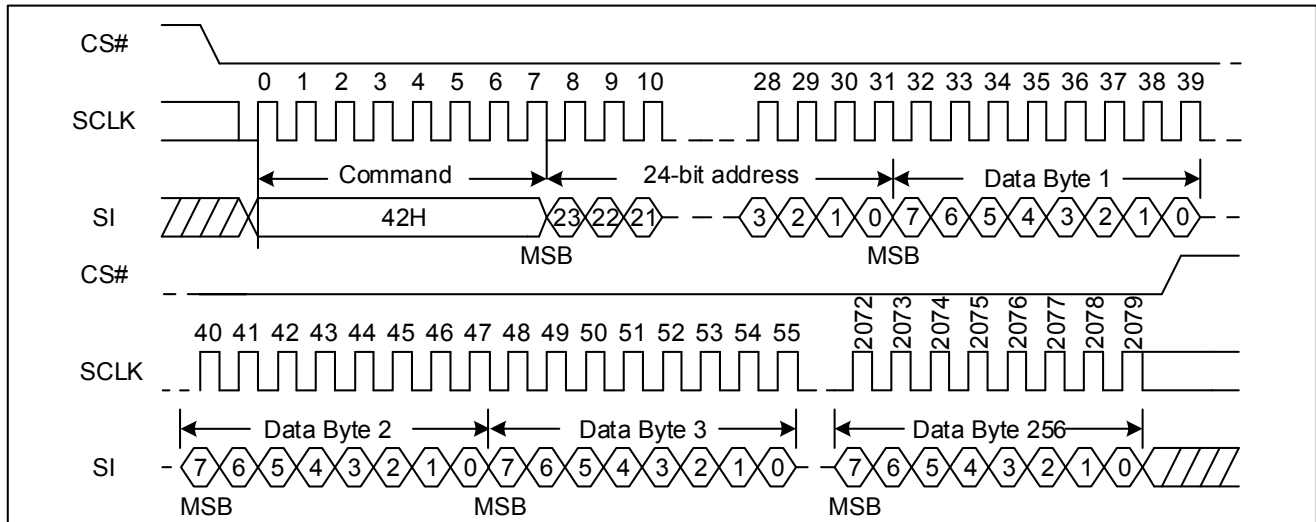
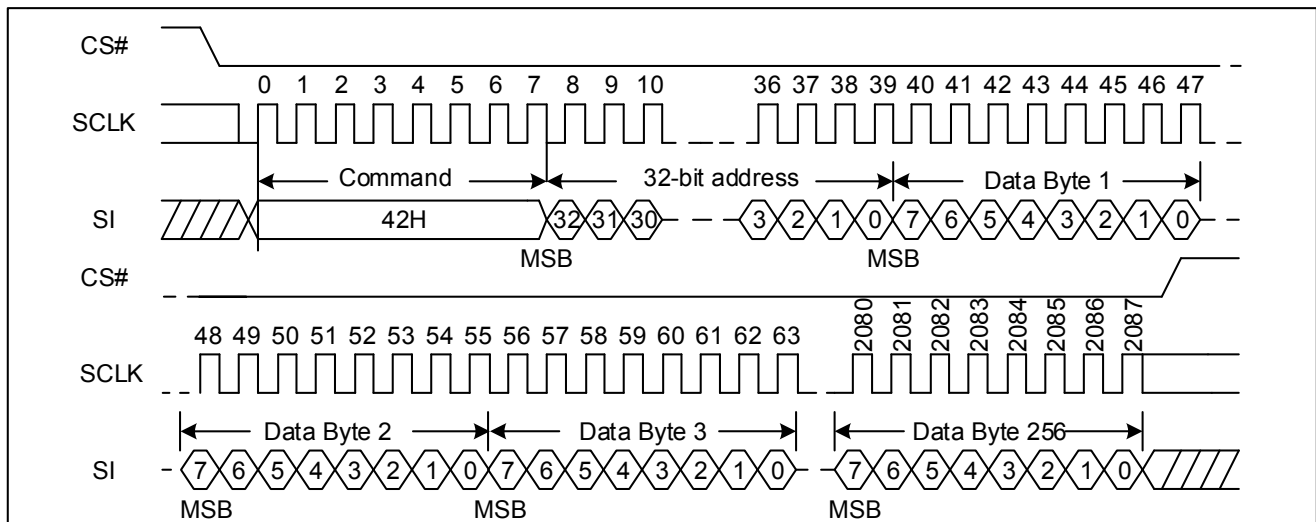


Figure 68 Program Security Registers command Sequence Diagram (ADS=1)





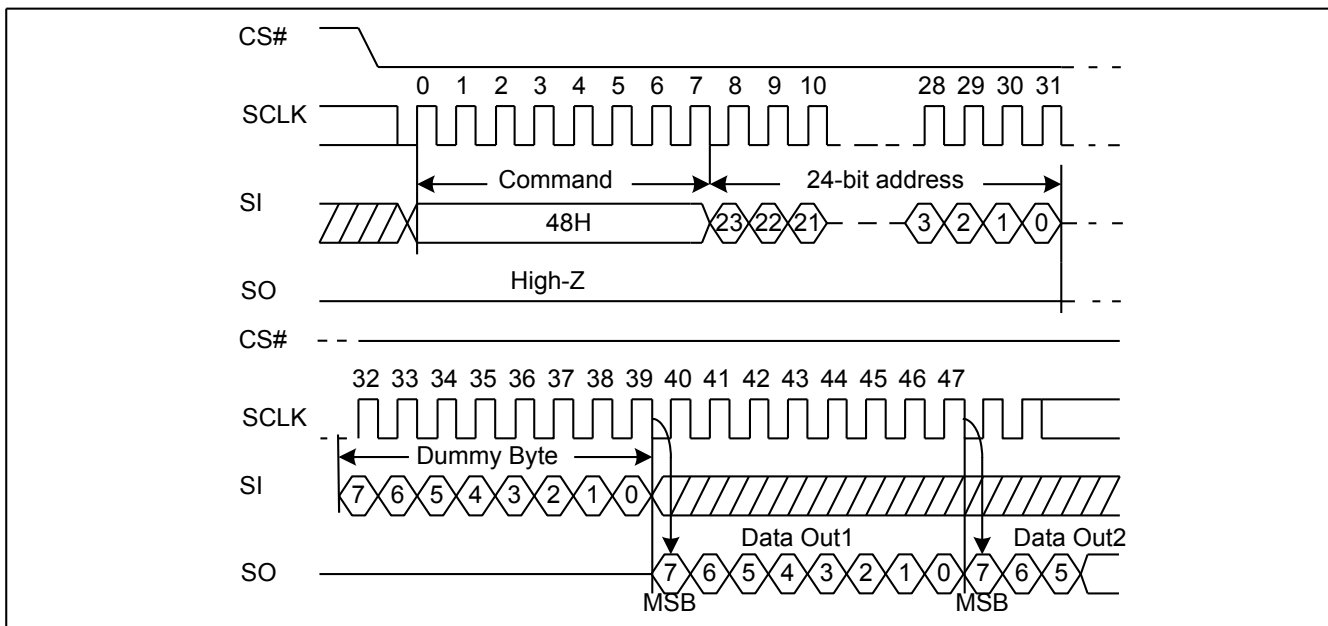
**7.35. Read Security Registers (48H)**

The Read Security Registers command is similar to Fast Read command. The command I is followed by a 3-Byte address (A23-A0) or 4-Byte address (A31-A0) and a dummy Byte, and each bit being latched-in on the rising edge of SCLK. Then the memory content, at that address, is shifted out on SO, and each bit being shifted out, at a Max frequency  $f_c$ , on the falling edge of SCLK. The first Byte addressed can be at any location. The address is automatically incremented to the next higher address after each Byte of data is shifted out. Once the A10-A0 address reaches the last Byte of the register (Byte 7FFH), it will reset to 000H, the command is completed by driving CS# high.

**Table 20 Security Registers**

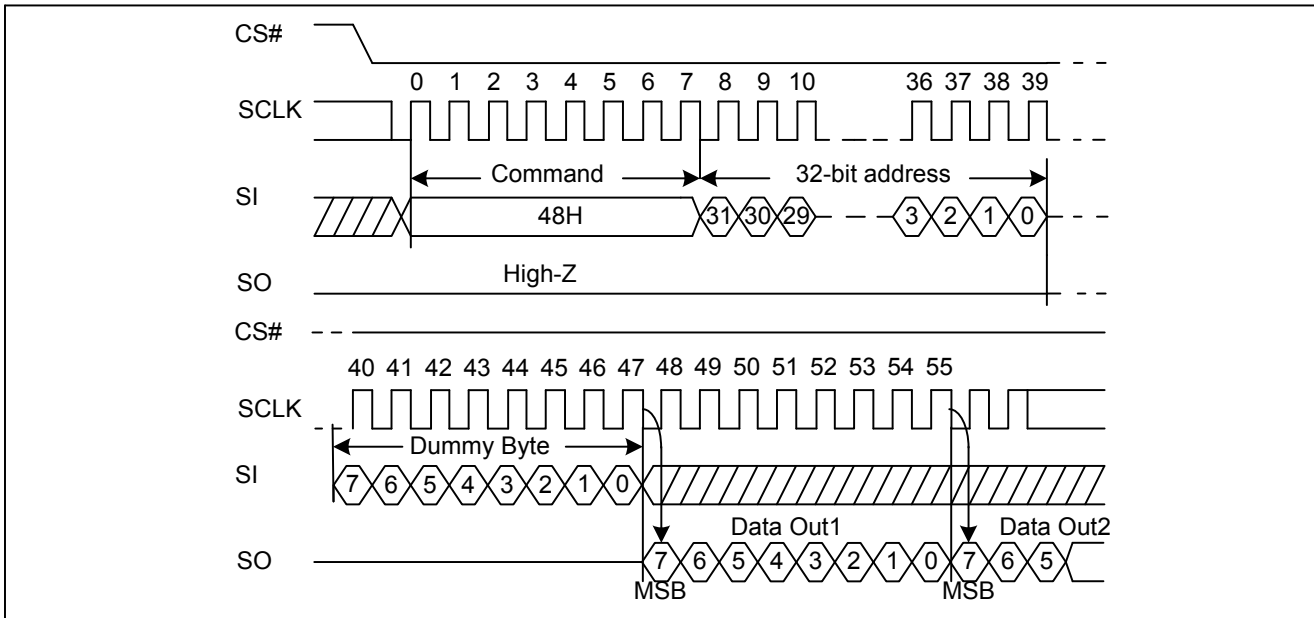
| Address              | A23-16 | A15-12  | A11 | A10-0        |
|----------------------|--------|---------|-----|--------------|
| Security Register #1 | 00H    | 0 0 0 1 | 0   | Byte Address |
| Security Register #2 | 00H    | 0 0 1 0 | 0   | Byte Address |
| Security Register #3 | 00H    | 0 0 1 1 | 0   | Byte Address |

**Figure 69 Read Security Registers command Sequence Diagram (ADS=0)**





**Figure 70 Read Security Registers command Sequence Diagram (ADS=1)**

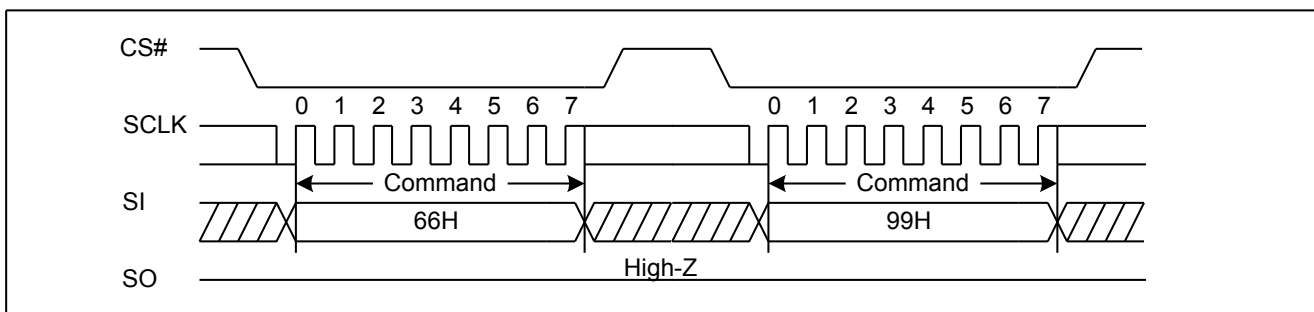


### 7.36. Enable Reset (66H) and Reset (99H)

If the Reset command is accepted, any on-going internal operation will be terminated and the device will return to its default power-on state and lose all the current volatile settings, such as Volatile Status Register bits, Write Enable Latch status (WEL), Program/Erase Suspend status, Continuous Read Mode bit setting (M7-M0) and Wrap Bit Setting (W6-W4).

The “Enable Reset (66H)” and the “Reset (99H)” commands can be issued in SPI mode. The “Reset (99H)” command sequence as follow: CS# goes low → Sending Enable Reset command → CS# goes high → CS# goes low → Sending Reset command → CS# goes high. Once the Reset command is accepted by the device, the device will take approximately  $t_{RST} / t_{RST\_E}$  to reset. During this period, no command will be accepted. Data corruption may happen if there is an on-going or suspended internal Erase or Program operation when Reset command sequence is accepted by the device. It is recommended to check the BUSY bit and the SUS bit in Status Register before issuing the Reset command sequence.

**Figure 71 Enable Reset and Reset command Sequence Diagram**

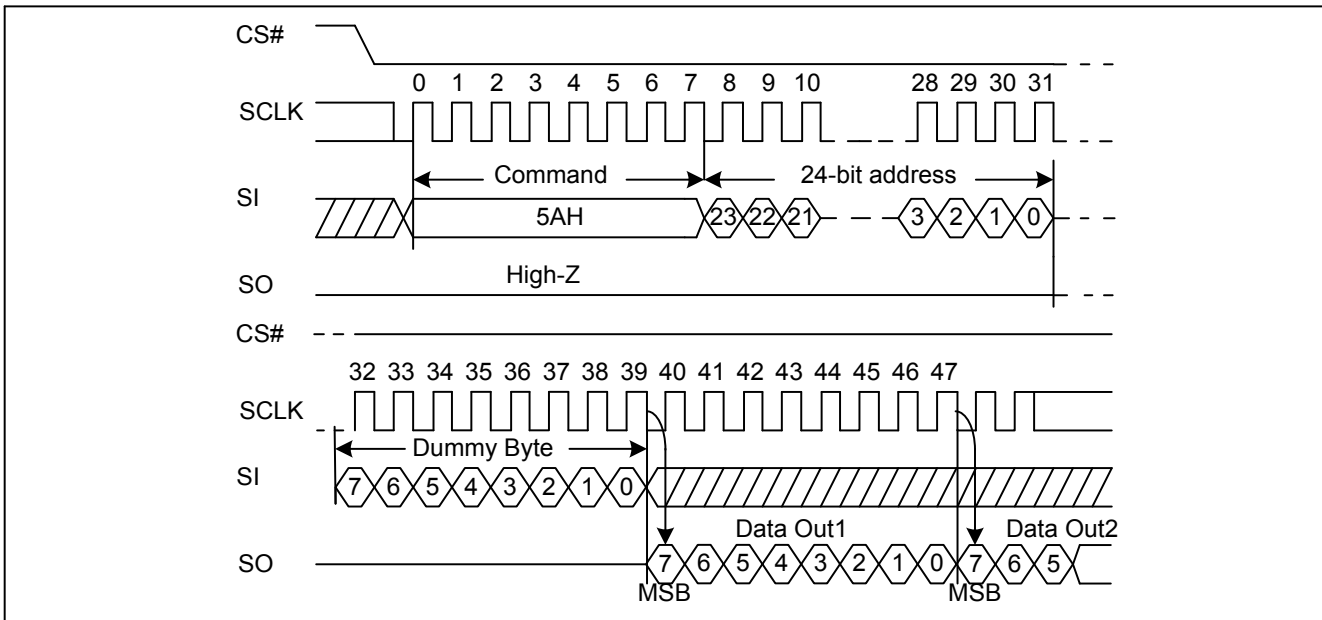




### 7.37. Read Serial Flash Discoverable Parameter (5AH)

The Serial Flash Discoverable Parameter (SFDP) standard provides a consistent method of describing the functional and feature capabilities of serial flash devices in a standard set of internal parameter tables. These parameter tables can be interrogated by host system software to enable adjustments needed to accommodate divergent features from multiple vendors. The concept is similar to the one found in the Introduction of JEDEC Standard, JESD68 on CFI. SFDP is a standard of JEDEC Standard No.216B.

Figure 72 Read Serial Flash Discoverable Parameter command Sequence Diagram





**Table 21. Signature and Parameter Identification Data Values**

| Description                             | Comment   | Add(H)<br>(Byte) | DW Add<br>(Bit) | Data | Data |
|---|---|------------------|-----------------|------|------|
| SFDP Signature                          | Fixed:50444653H                                   | 00H              | 07:00           | 53H  | 53H  |
|   |   | 01H              | 15:08           | 46H  | 46H  |
|   |   | 02H              | 23:16           | 44H  | 44H  |
|   |   | 03H              | 31:24           | 50H  | 50H  |
| SFDP Minor Revision Number              | Start from 00H                                    | 04H              | 07:00           | 06H  | 06H  |
| SFDP Major Revision Number              | Start from 01H                                    | 05H              | 15:08           | 01H  | 01H  |
| Number of Parameters Headers            | Start from 00H                                    | 06H              | 23:16           | 02H  | 02H  |
| Unused                                  | Contains 0xFFH and can never be changed           | 07H              | 31:24           | FFH  | FFH  |
| ID number (JEDEC)                       | 00H: It indicates a JEDEC specified header        | 08H              | 07:00           | 00H  | 00H  |
| Parameter Table Minor Revision Number   | Start from 0x00H                                  | 09H              | 15:08           | 06H  | 06H  |
| Parameter Table Major Revision Number   | Start from 0x01H                                  | 0AH              | 23:16           | 01H  | 01H  |
| Parameter Table Length (in double word) | How many DWORDs in the Parameter table            | 0BH              | 31:24           | 10H  | 10H  |
| Parameter Table Pointer (PTP)           | First address of JEDEC Flash Parameter table      | 0CH              | 07:00           | 30H  | 30H  |
|   |   | 0DH              | 15:08           | 00H  | 00H  |
|   |   | 0EH              | 23:16           | 00H  | 00H  |
| Unused                                  | Contains 0xFFH and can never be changed           | 0FH              | 31:24           | FFH  | FFH  |
| ID Number (GigaDevice Manufacturer ID)  | It is indicates GigaDevice manufacturer ID        | 10H              | 07:00           | C8H  | C8H  |
| Parameter Table Minor Revision Number   | Start from 0x00H                                  | 11H              | 15:08           | 00H  | 00H  |
| Parameter Table Major Revision Number   | Start from 0x01H                                  | 12H              | 23:16           | 01H  | 01H  |
| Parameter Table Length (in double word) | How many DWORDs in the Parameter table            | 13H              | 31:24           | 03H  | 03H  |
| Parameter Table Pointer (PTP)           | First address of GigaDevice Flash Parameter table | 14H              | 07:00           | 90H  | 90H  |
|   |   | 15H              | 15:08           | 00H  | 00H  |
|   |   | 16H              | 23:16           | 00H  | 00H  |
| Unused                                  | Contains 0xFFH and can never be changed           | 17H              | 31:24           | FFH  | FFH  |
| ID Number (4-Byte Address Instruction)  | 4-Byte address instruction parameter ID           | 18H              | 07:00           | 84H  | 84H  |
| Parameter Table Minor Revision Number   | Start from 0x00H                                  | 19H              | 15:08           | 00H  | 00H  |



### 3.3V Uniform Sector GigaDevice Dual and Quad Serial Flash

### GD25B256D

|   |   |     |       |     |     |
|---|---|-----|-------|-----|-----|
| Parameter Table Major Revision Number   | Start from 0x01H                                  | 1AH | 23:16 | 01H | 01H |
| Parameter Table Length (in double word) | How many DWORDs in the Parameter table            | 1BH | 31:24 | 02H | 02H |
| Parameter Table Pointer (PTP)           | First address of 4-Byte Address Instruction table | 1CH | 07:00 | C0H | C0H |
|   |   | 1DH | 15:08 | 00H | 00H |
|   |   | 1EH | 23:16 | 00H | 00H |
| Unused                                  | Contains 0xFFH and can never be changed           | 1FH | 31:24 | FFH | FFH |



**Table 22. Parameter Table (0): JEDEC Flash Parameter Tables**

| Description   | Comment   | Add(H)<br>(Byte) | DW Add<br>(Bit) | Data      | Data |
|---|---|------------------|-----------------|-----------|------|
| Block/Sector Erase Size   | 00: Reserved; 01: 4KB erase;<br>10: Reserved;<br>11: not support 4KB erase  | 30H              | 01:00           | 01b       | E5H  |
| Write Granularity   | 0: 1Byte, 1: 64Byte or larger   |                  | 02              | 1b        |      |
| Write Enable Instruction Requested for Writing to Volatile Status Registers | 0: Nonvolatile status bit<br>1: Volatile status bit<br>(BP status register bit)   |                  | 03              | 0b        |      |
| Write Enable Opcode Select for Writing to Volatile Status Registers         | 0: Use 50H Opcode,<br>1: Use 06H Opcode,<br>Note: If target flash status register is Nonvolatile, then bits 3 and 4 must be set to 00b. |                  | 04              | 0b        |      |
| Unused  | Contains 111b and can never be changed  |                  | 07:05           | 111b      |      |
| 4KB Erase Opcode  |   | 31H              | 15:08           | 20H       | 20H  |
| (1-1-2) Fast Read   | 0=Not support, 1=Support  | 32H              | 16              | 1b        | F3H  |
| Address Bytes Number used in addressing flash array                         | 00: 3Byte only, 01: 3 or 4Byte,<br>10: 4Byte only, 11: Reserved   |                  | 18:17           | 01b       |      |
| Double Transfer Rate (DTR) clocking   | 0=Not support, 1=Support  |                  | 19              | 0b        |      |
| (1-2-2) Fast Read   | 0=Not support, 1=Support  |                  | 20              | 1b        |      |
| (1-4-4) Fast Read   | 0=Not support, 1=Support  |                  | 21              | 1b        |      |
| (1-1-4) Fast Read   | 0=Not support, 1=Support  |                  | 22              | 1b        |      |
| Unused  |   |                  | 23              | 1b        |      |
| Unused  |   | 33H              | 31:24           | FFH       | FFH  |
| Flash Memory Density  |   | 37H:34H          | 31:00           | 0FFFFFFFH |      |
| (1-4-4) Fast Read Number of Wait states                                     | 0 0000b: Wait states (Dummy Clocks) not support   | 38H              | 04:00           | 00100b    | 44H  |
| (1-4-4) Fast Read Number of Mode Bits                                       | 000b:Mode Bits not support  |                  | 07:05           | 010b      |      |
| (1-4-4) Fast Read Opcode  |   | 39H              | 15:08           | EBH       | EBH  |
| (1-1-4) Fast Read Number of Wait states                                     | 0 0000b: Wait states (Dummy Clocks) not support   | 3AH              | 20:16           | 01000b    | 08H  |
| (1-1-4) Fast Read Number of Mode Bits                                       | 000b:Mode Bits not support  |                  | 23:21           | 000b      |      |
| (1-1-4) Fast Read Opcode  |   | 3BH              | 31:24           | 6BH       | 6BH  |





### 3.3V Uniform Sector Dual and Quad Serial Flash

### GD25B256D

| Description                             | Comment   | Add(H)<br>(Byte) | DW Add<br>(Bit) | Data   | Data  |
|---|---|------------------|-----------------|--------|-------|
| (1-1-2) Fast Read Number of Wait states | 0 0000b: Wait states (Dummy Clocks) not support                               | 3CH              | 04:00           | 01000b | 08H   |
| (1-1-2) Fast Read Number of Mode Bits   | 000b: Mode Bits not support   |                  | 07:05           | 000b   |       |
| (1-1-2) Fast Read Opcode                |   | 3DH              | 15:08           | 3BH    | 3BH   |
| (1-2-2) Fast Read Number of Wait states | 0 0000b: Wait states (Dummy Clocks) not support                               | 3EH              | 20:16           | 00010b | 42H   |
| (1-2-2) Fast Read Number of Mode Bits   | 000b: Mode Bits not support   |                  | 23:21           | 010b   |       |
| (1-2-2) Fast Read Opcode                |   | 3FH              | 31:24           | BBH    | BBH   |
| (2-2-2) Fast Read                       | 0=not support 1=support   | 40H              | 00              | 0b     | EEH   |
| Unused                                  |   |                  | 03:01           | 111b   |       |
| (4-4-4) Fast Read                       | 0=not support 1=support   |                  | 04              | 0b     |       |
| Unused                                  |   |                  | 07:05           | 111b   |       |
| Unused                                  |   | 43H:41H          | 31:08           | 0xFFH  | 0xFFH |
| Unused                                  |   | 45H:44H          | 15:00           | 0xFFH  | 0xFFH |
| (2-2-2) Fast Read Number of Wait states | 0 0000b: Wait states (Dummy Clocks) not support                               | 46H              | 20:16           | 00000b | 00H   |
| (2-2-2) Fast Read Number of Mode Bits   | 000b: Mode Bits not support   |                  | 23:21           | 000b   |       |
| (2-2-2) Fast Read Opcode                |   | 47H              | 31:24           | FFH    | FFH   |
| Unused                                  |   | 49H:48H          | 15:00           | 0xFFH  | 0xFFH |
| (4-4-4) Fast Read Number of Wait states | 0 0000b: Wait states (Dummy Clocks) not support                               | 4AH              | 20:16           | 00000b | 00H   |
| (4-4-4) Fast Read Number of Mode Bits   | 000b: Mode Bits not support   |                  | 23:21           | 000b   |       |
| (4-4-4) Fast Read Opcode                |   | 4BH              | 31:24           | FFH    | FFH   |
| Sector Type 1 Size                      | Sector/block size=2 <sup>N</sup> Bytes<br>0x00b: this sector type don't exist | 4CH              | 07:00           | 0CH    | 0CH   |
| Sector Type 1 erase Opcode              |   | 4DH              | 15:08           | 20H    | 20H   |
| Sector Type 2 Size                      | Sector/block size=2 <sup>N</sup> Bytes<br>0x00b: this sector type don't exist | 4EH              | 23:16           | 0FH    | 0FH   |
| Sector Type 2 erase Opcode              |   | 4FH              | 31:24           | 52H    | 52H   |
| Sector Type 3 Size                      | Sector/block size=2 <sup>N</sup> Bytes<br>0x00b: this sector type don't exist | 50H              | 07:00           | 10H    | 10H   |
| Sector Type 3 erase Opcode              |   | 51H              | 15:08           | D8H    | D8H   |
| Sector Type 4 Size                      | Sector/block size=2 <sup>N</sup> Bytes<br>0x00b: this sector type don't exist | 52H              | 23:16           | 00H    | 00H   |
| Sector Type 4 erase Opcode              |   | 53H              | 31:24           | FFH    | FFH   |



**3.3V Uniform Sector**  
**GigaDevice Dual and Quad Serial Flash**

**GD25B256D**

| Description   | Comment                           | Add(H)<br>(Byte) | DW Add<br>(Bit) | Data     | Data |
|---|-----------------------------------|------------------|-----------------|----------|------|
| Multiplier from typical erase time to maximum erase time          |                                   | 54H              | 3:0             | 0010b    | 42H  |
| Erase Type 1 Erase, Typical time                                  | Erase time=70ms/80ms              |                  | 7:4             | 0100b    |      |
| Erase Type 2 Erase, Typical time                                  | Erase time=200ms/208ms            | 55H              | 10:8            | 010b     | 62H  |
| Erase Type 3 Erase, Typical time                                  | Erase time=300ms/304ms            |                  | 15:11           | 01100b   |      |
| Erase Type 4 Erase, Typical time                                  | Not exist                         | 56H              | 17:16           | 01b      | C9H  |
|   |                                   |                  | 23:18           | 110010b  |      |
|   |                                   | 57H              | 24              | 0b       | FEH  |
|   |                                   |                  | 31:25           | 1111111b |      |
| Multiplier from typical time to max time for Page or Byte program |                                   | 58H              | 3:0             | 0010b    | 82H  |
| Page Size   | Page size=256Byte                 |                  | 7:4             | 1000b    |      |
| Page Program Typical time   | Page program=600us/640us          | 59H              | 13:8            | 101001b  | E9H  |
| Byte Program Typical time, first Byte                             | First Byte program=30us/32us      |                  | 15:14           | 11b      |      |
| Byte Program Typical time, additional Byte                        | Additional Byte program=2.5us/3us | 5AH              | 18:16           | 100b     | 14H  |
|   |                                   |                  | 23:19           | 00010b   |      |
| Chip Erase, Typical time  | Chip erase typical time=100s/100s | 5BH              | 30:24           | 1011000b | 58H  |
| Reserved  |                                   |                  | 31              | 0b       |      |
| Prohibited Operations During Program Suspend                      |                                   | 5CH              | 3:0             | 1100b    | ECH  |
| Prohibited Operations During Erase Suspend                        |                                   |                  | 7:4             | 1110b    |      |
| Reserved  |                                   | 5DH              | 8               | 0b       | 60H  |
| Program Resume to Suspend Interval                                | Interval=64us                     |                  | 12:9            | 0000b    |      |
| Suspend in-progress program max latency                           | max latency=20us/20us             |                  | 15:13           | 011b     |      |
| Erase Resume to Suspend Interval                                  | Interval=64us                     | 5EH              | 19:16           | 0110b    | 06H  |
|   |                                   |                  | 23:20           | 0000b    |      |
| Suspend in-progress erase max latency                             | max latency=20us/20us             | 5FH              | 30:24           | 0110011b | 33H  |
| Suspend / Resume supported  |                                   |                  | 31              | 0b       |      |
| Program Resume Instruction  |                                   | 60H              | 7:0             | 7AH      | 7AH  |
| Program Suspend Instruction                                       |                                   | 61H              | 15:0            | 75H      | 75H  |
| Resume Instruction  |                                   | 62H              | 23:16           | 7AH      | 7AH  |
| Suspend Instruction   |                                   | 63H              | 31:24           | 75H      | 75H  |



**3.3V Uniform Sector**  
**GigaDevice Dual and Quad Serial Flash**

**GD25B256D**

| Description  | Comment   | Add(H)<br>(Byte) | DW Add<br>(Bit) | Data      | Data |
|--|---|------------------|-----------------|-----------|------|
| Reserved   |   |                  | 1:0             | 00b       |      |
| Status Register Polling Device Busy  | Use of legacy polling is supported by reading the Status Register with 05h instruction and checking WIP bit[0] (0=ready; 1=busy). | 64H              | 7:2             | 000001b   | 04H  |
| Exit Deep Power down to next operation delay   | Delay=30us/30us   | 65H              | 14:8            | 0111101b  | BDH  |
| Exit Deep Power down Instruction   |   |                  | 15              | 1b        |      |
| Enter Deep Power down Instruction  |   | 66H              | 22:16           | 1010101b  | D5H  |
|  |   |                  | 23              | 1b        |      |
| Deep Power down Supported  |   | 67H              | 30:24           | 1011100b  | 5CH  |
|  |   |                  | 31              | 0b        |      |
| 4-4-4 mode disable sequences   | Not support 4-4-4 mode  | 68H              | 3:0             | 0000b     | 00H  |
| 4-4-4 mode enable sequences  | Not support 4-4-4 mode  |                  | 7:4             | 0000b     |      |
| 0-4-4 mode supported   | Supported   | 69H              | 8               | 0b        | 06H  |
| 0-4-4 Mode Exit Method   | M<7:0>=00H  |                  | 9               | 1b        |      |
| 0-4-4 Mode Entry Method  | M<7:0>=AXH  |                  | 15:10           | 000001b   |      |
| Quad Enable Requirements (QER)   | QE is in status register 2, bit 1   | 6AH              | 19:16           | 0100b     | 44H  |
| RESET Disable  |   |                  | 22:20           | 100b      |      |
|  |   |                  | 23              | 0b        |      |
| Reserved   |   | 6BH              | 31:24           | 00000000b | 00H  |
| Volatile or Non-Volatile Register and Write Enable Instruction for Status Register 1 |   | 6CH              | 6:0             | 0001000b  | 08H  |
| Reserved   |   |                  | 7               | 0b        |      |
| Soft Reset and Rescue Sequence Support   | 66H-99H   | 6DH              | 13:8            | 010000b   | 50H  |
| Exit 4-Byte Addressing   |   |                  | 15:14           | 01b       |      |
|  |   | 6EH              | 23:16           | 00000000b | 00H  |
| Enter 4-Byte Addressing  |   | 6FH              | 31:24           | 00000001b | 01H  |

Note:

1. All AC/DC characteristics related content in SFDP applies to -40°C~85°C products only.



**Table 23. Parameter Table (1): GigaDevice Flash Parameter Tables**

| Description  | Comment   | Add(H)<br>(Byte) | DW Add<br>(Bit) | Data                | Data           |
|--|---|------------------|-----------------|---------------------|----------------|
| Vcc Supply Maximum Voltage   | 2000H=2.000V<br>2700H=2.700V<br>3600H=3.600V  | 91H:90H          | 15:00           | 3600H               | 3600H          |
| Vcc Supply Minimum Voltage   | 1650H=1.650V<br>2250H=2.250V<br>2350H=2.350V<br>2700H=2.700V                          | 93H:92H          | 31:16           | 2700H               | 2700H          |
| HW Reset# pin  | 0=not support 1=support   | 95H:94H          | 00              | 0b <sup>(1)</sup>   | F99CH          |
| HW Hold# pin   | 0=not support 1=support   |                  | 01              | 0b                  |                |
| Deep Power Down Mode   | 0=not support 1=support   |                  | 02              | 1b                  |                |
| SW Reset   | 0=not support 1=support   |                  | 03              | 1b                  |                |
| SW Reset Opcode  | Should be issue Reset Enable(66H)<br>before Reset cmd.                                |                  | 11:04           | 1001 1001b<br>(99H) |                |
| Program Suspend/Resume   | 0=not support 1=support   |                  | 12              | 1b                  |                |
| Erase Suspend/Resume   | 0=not support 1=support   |                  | 13              | 1b                  |                |
| Unused   |   |                  | 14              | 1b                  |                |
| Wrap-Around Read mode  | 0=not support 1=support   |                  | 15              | 1b                  |                |
| Wrap-Around Read mode Opcode   |   |                  | 96H             | 23:16               |                |
| Wrap-Around Read data length   | 08H:support 8B wrap-around read<br>16H:8B&16B<br>32H:8B&16B&32B<br>64H:8B&16B&32B&64B | 97H              | 31:24           | 64H                 | 64H            |
| Individual block lock  | 0=not support 1=support   | 9BH:98H          | 00              | 0b                  | CBFC/<br>EBFCH |
| Individual block lock bit<br>(Volatile/Nonvolatile)                  | 0=Volatile 1=Nonvolatile  |                  | 01              | 0b                  |                |
| Individual block lock Opcode   |   |                  | 09:02           | FFH                 |                |
| Individual block lock Volatile<br>protect bit default protect status | 0=protect 1=unprotect   |                  | 10              | 0b                  |                |
| Secured OTP  | 0=not support 1=support   |                  | 11              | 1b                  |                |
| Read Lock  | 0=not support 1=support   |                  | 12              | 0b                  |                |
| Permanent Lock   | 0=not support 1=support   |                  | 13              | 0/1b <sup>(2)</sup> |                |
| Unused   |   |                  | 15:14           | 11b                 |                |
| Unused   |   |                  | 31:16           | FFFFH               |                |

NOTE:

- GD25B256DxxRx of the SOP16 and TFBGA packages, a dedicated RESET# pin is provided.
- GD25B256DxxSx support Permanent Lock. Please contact GigaDevice for details.



**Table 24. Parameter Table (2): 4-Byte Instruction Tables**

| Description   | Comment                            | Add(H)<br>(Byte) | DW Add<br>(Bit) | Data | Data |
|---|------------------------------------|------------------|-----------------|------|------|
| Support for (1-1-1) READ command.<br>Instruction = 13H                              | 0 = NOT supported<br>1 = supported | C0H              | 00              | 1b   | FFH  |
| Support for (1-1-1) FAST READ<br>command. Instruction = 0CH                         | 0 = NOT supported<br>1 = supported |                  | 01              | 1b   |      |
| Support for (1-1-2) FAST READ<br>command. Instruction = 3CH                         | 0 = NOT supported<br>1 = supported |                  | 02              | 1b   |      |
| Support for (1-2-2) FAST READ<br>command. Instruction = BCH                         | 0 = NOT supported<br>1 = supported |                  | 03              | 1b   |      |
| Support for (1-1-4) FAST READ<br>command. Instruction = 6CH                         | 0 = NOT supported<br>1 = supported |                  | 04              | 1b   |      |
| Support for (1-4-4) FAST READ<br>command. Instruction = ECH                         | 0 = NOT supported<br>1 = supported |                  | 05              | 1b   |      |
| Support for (1-1-1) Page Program<br>command. Instruction = 12H                      | 0 = NOT supported<br>1 = supported |                  | 06              | 1b   |      |
| Support for (1-1-4) Page Program<br>command. Instruction = 34H                      | 0 = NOT supported<br>1 = supported |                  | 07              | 1b   |      |
| Support for (1-4-4) Page Program<br>command. Instruction = 3EH                      | 0 = NOT supported<br>1 = supported | C1H              | 08              | 0b   | 0EH  |
| Support for Erase Command – Type<br>1 size. Instruction lookup in next the<br>dword | 0 = NOT supported<br>1 = supported |                  | 09              | 1b   |      |
| Support for Erase Command – Type<br>2 size. Instruction lookup in next the<br>dword | 0 = NOT supported<br>1 = supported |                  | 10              | 1b   |      |
| Support for Erase Command – Type<br>3 size. Instruction lookup in next the<br>dword | 0 = NOT supported<br>1 = supported |                  | 11              | 1b   |      |
| Support for Erase Command – Type<br>4 size. Instruction lookup in next the<br>dword | 0 = NOT supported<br>1 = supported |                  | 12              | 0b   |      |
| Support for (1-1-1) DTR READ<br>command. Instruction = 0EH                          | 0 = NOT supported<br>1 = supported |                  | 13              | 0b   |      |
| Support for (1-2-2) DTR READ<br>command. Instruction = BEH                          | 0 = NOT supported<br>1 = supported |                  | 14              | 0b   |      |
| Support for (1-4-4) DTR READ<br>command. Instruction = EEH                          | 0 = NOT supported<br>1 = supported |                  | 15              | 0b   |      |



**3.3V Uniform Sector**  
**GigaDevice Dual and Quad Serial Flash**

**GD25B256D**

| Description  | Comment                            | Add(H)<br>(Byte) | DW Add<br>(Bit) | Data  | Data |
|--|------------------------------------|------------------|-----------------|-------|------|
| Support for volatile individual sector lock Read command. Instruction = E0H      | 0 = NOT supported<br>1 = supported | C2H              | 16              | 0b    | F0H  |
| Support for volatile individual sector lock Write command. Instruction = E1H     | 0 = NOT supported<br>1 = supported |                  | 17              | 0b    |      |
| Support for non-volatile individual sector lock Read command. Instruction = E2H  | 0 = NOT supported<br>1 = supported |                  | 18              | 0b    |      |
| Support for non-volatile individual sector lock Write command. Instruction = E3H | 0 = NOT supported<br>1 = supported |                  | 19              | 0b    |      |
| Reserved   | Reserved                           |                  | 23:20           | 1111b |      |
| Reserved   | Reserved                           | C3H              | 31:24           | FFH   | FFH  |
| Instruction for Erase Type 1   | FFH = NOT supported                | C4H              | 07:00           | 21H   | 21H  |
| Instruction for Erase Type 2   | FFH = NOT supported                | C5H              | 15:08           | 5CH   | 5CH  |
| Instruction for Erase Type 3   | FFH = NOT supported                | C6H              | 23:16           | DCH   | DCH  |
| Instruction for Erase Type 4   | FFH = NOT supported                | C7H              | 31:24           | FFH   | FFH  |



## 8. ELECTRICAL CHARACTERISTICS

### 8.1. POWER-ON TIMING

Figure 73 Power-on Timing

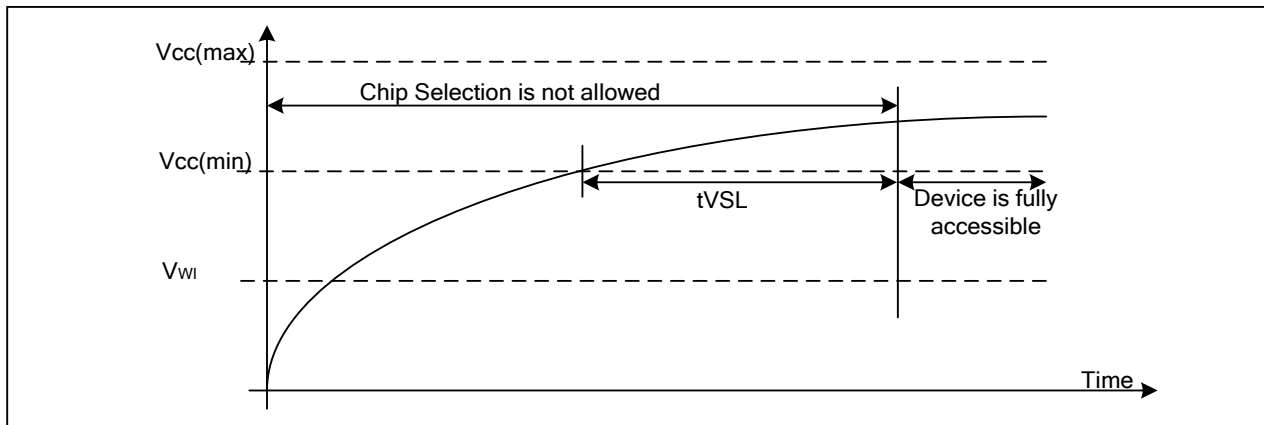


Table 25 Power-Up Timing and Write Inhibit Threshold

| Symbol | Parameter             | Min | Max | Unit |
|--------|-----------------------|-----|-----|------|
| tVSL   | VCC (min) To CS# Low  | 2.5 |     | ms   |
| VWI    | Write Inhibit Voltage | 1.5 | 2.5 | V    |

### 8.2. INITIAL DELIVERY STATE

The device is delivered with the memory array erased: all bits are set to 1 (each Byte contains FFH). The Status Register bits are set to 0, except QE bit (S9) and DRV0 bit (S21) are set to 1.

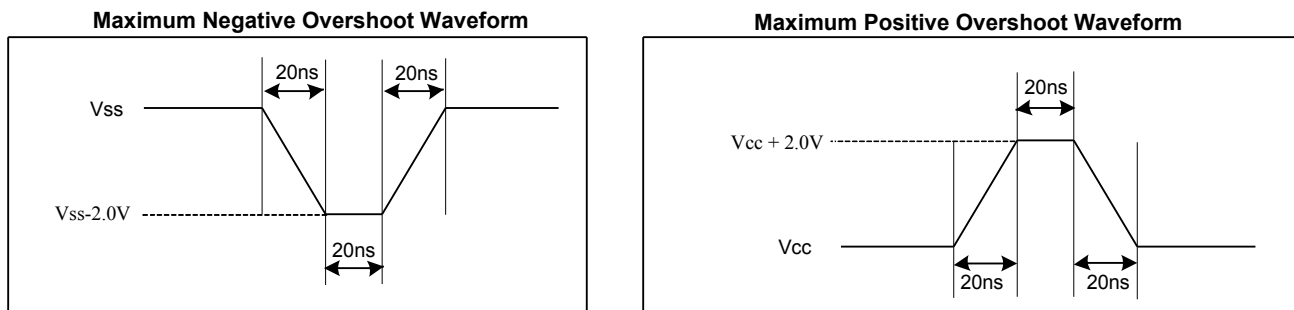
### 8.3. ABSOLUTE MAXIMUM RATINGS

Table 26 Absolute Maximum Ratings

| Parameter   | Value           | Unit |
|---|-----------------|------|
| Ambient Operating Temperature                             | -40 to 85       | °C   |
| Storage Temperature                                       | -65 to 150      | °C   |
| Applied Input/Output Voltage                              | -0.6 to VCC+0.4 | V    |
| Transient Input/Output Voltage ( <b>note</b> : overshoot) | -2.0 to VCC+2.0 | V    |
| VCC   | -0.6 to 4.2     | V    |



**Figure 74 Input Test Waveform and Measurement Level**

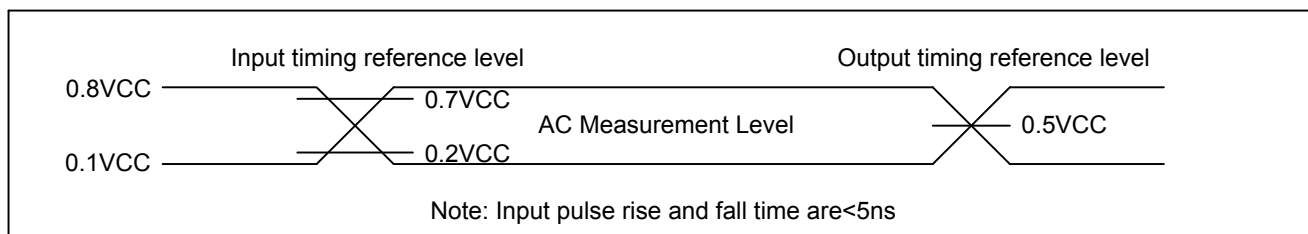


**8.4. CAPACITANCE MEASUREMENT CONDITIONS**

**Table 27 Capacitance Measurement Conditions**

| Symbol | Parameter                       | Min              | Typ. | Max | Unit | Conditions |
|--------|---------------------------------|------------------|------|-----|------|------------|
| CIN    | Input Capacitance               |                  |      | 6   | pF   | VIN=0V     |
| COUT   | Output Capacitance              |                  |      | 8   | pF   | VOUT=0V    |
| CL     | Load Capacitance                | 30               |      |     | pF   |            |
|        | Input Rise And Fall time        |                  |      | 5   | ns   |            |
|        | Input Pulse Voltage             | 0.1VCC to 0.8VCC |      |     | V    |            |
|        | Input Timing Reference Voltage  | 0.2VCC to 0.7VCC |      |     | V    |            |
|        | Output Timing Reference Voltage | 0.5VCC           |      |     | V    |            |

**Figure 75 Input/Output Timing Reference Level**







**8.5. DC CHARACTERISTICS**

**Table 28 DC CHARACTERISTICS (T= -40°C~85°C, VCC=2.7~3.6V)**

| Symbol           | Parameter                | Test Condition  | Min.    | Typ. | Max.    | Unit. |
|------------------|--------------------------|---|---------|------|---------|-------|
| I <sub>LI</sub>  | Input Leakage Current    |   |         |      | ±2      | μA    |
| I <sub>LO</sub>  | Output Leakage Current   |   |         |      | ±2      | μA    |
| I <sub>CC1</sub> | Standby Current          | CS#=VCC,<br>V <sub>IN</sub> =VCC or VSS                   |         | 12   | 50      | μA    |
| I <sub>CC2</sub> | Deep Power-Down Current  | CS#=VCC,<br>V <sub>IN</sub> =VCC or VSS                   |         | 1    | 8       | μA    |
| I <sub>CC3</sub> | Operating Current (Read) | CLK=0.1VCC / 0.9VCC<br>at 104MHz,<br>Q=Open(*1,*2,*4 I/O) |         | 15   | 25      | mA    |
|                  |                          | CLK=0.1VCC / 0.9VCC<br>at 80MHz,<br>Q=Open(*1,*2,*4 I/O)  |         | 13   | 20      | mA    |
| I <sub>CC4</sub> | Operating Current (PP)   | CS#=VCC   |         |      | 25      | mA    |
| I <sub>CC5</sub> | Operating Current (WRSR) | CS#=VCC   |         |      | 25      | mA    |
| I <sub>CC6</sub> | Operating Current (SE)   | CS#=VCC   |         |      | 25      | mA    |
| I <sub>CC7</sub> | Operating Current (BE)   | CS#=VCC   |         |      | 25      | mA    |
| I <sub>CC8</sub> | Operating Current (CE)   | CS#=VCC   |         |      | 25      | mA    |
| V <sub>IL</sub>  | Input Low Voltage        |   | -0.5    |      | 0.2VCC  | V     |
| V <sub>IH</sub>  | Input High Voltage       |   | 0.7VCC  |      | VCC+0.4 | V     |
| V <sub>OL</sub>  | Output Low Voltage       | I <sub>OL</sub> =100μA                                    |         |      | 0.2     | V     |
| V <sub>OH</sub>  | Output High Voltage      | I <sub>OH</sub> =-100μA                                   | VCC-0.2 |      |         | V     |

Note:

1. Typical value tested at T = 25°C.
2. Value guaranteed by design and/or characterization, not 100% tested in production.



**8.6. AC CHARACTERISTICS**

**Table 29 AC CHARACTERISTICS (T= -40°C~85°C, VCC=2.7~3.6V, CL=30pf)**

| Symbol             | Parameter  | Min. | Typ. | Max. | Unit. |
|--------------------|--|------|------|------|-------|
| f <sub>c</sub>     | Serial Clock Frequency for all instructions except Read  |      |      | 104  | MHz   |
| f <sub>c1</sub>    | Serial Clock Frequency for Dual I/O (BBH, BCH), Quad I/O (EBH, ECH), Dual Output (3BH, 3CH), Quad Output (6BH, 6CH), Fast Read (0BH, 0CH) instructions, on 3.0 – 3.6V power supply |      |      | 104  | MHz   |
| f <sub>c2</sub>    | Serial Clock Frequency for Dual I/O (BBH, BCH), Quad I/O (EBH, ECH), Dual Output (3BH, 3CH), Quad Output (6BH, 6CH), Fast Read (0BH, 0CH) instructions, on 2.7 – 3.0V power supply |      |      | 80   | MHz   |
| f <sub>R</sub>     | Serial Clock Frequency For: Read (03H, 13H)  |      |      | 50   | MHz   |
| t <sub>CLH</sub>   | Serial Clock High Time   | 3.7  |      |      | ns    |
| t <sub>CLL</sub>   | Serial Clock Low Time  | 3.7  |      |      | ns    |
| t <sub>CLCH</sub>  | Serial Clock Rise Time (Slew Rate)   | 0.2  |      |      | V/ns  |
| t <sub>CHCL</sub>  | Serial Clock Fall Time (Slew Rate)   | 0.2  |      |      | V/ns  |
| t <sub>SLCH</sub>  | CS# Active Setup Time  | 8    |      |      | ns    |
| t <sub>CHSH</sub>  | CS# Active Hold Time   | 5    |      |      | ns    |
| t <sub>SHCH</sub>  | CS# Not Active Setup Time  | 5    |      |      | ns    |
| t <sub>CHSL</sub>  | CS# Not Active Hold Time   | 5    |      |      | ns    |
| t <sub>SHSL</sub>  | CS# High Time (Read/Write)   | 20   |      |      | ns    |
| t <sub>SHQZ</sub>  | Output Disable Time  |      |      | 6    | ns    |
| t <sub>CLQX</sub>  | Output Hold Time   | 1.8  |      |      | ns    |
| t <sub>DVCH</sub>  | Data In Setup Time   | 2    |      |      | ns    |
| t <sub>CHDX</sub>  | Data In Hold Time  | 2    |      |      | ns    |
| t <sub>CLQV</sub>  | Clock Low To Output Valid  |      |      | 7    | ns    |
| t <sub>DP</sub>    | CS# High To Deep Power-Down Mode   |      |      | 20   | μs    |
| t <sub>RES1</sub>  | CS# High To Standby Mode Without Electronic Signature Read   |      |      | 30   | μs    |
| t <sub>RES2</sub>  | CS# High To Standby Mode With Electronic Signature Read  |      |      | 30   | μs    |
| t <sub>SUS</sub>   | CS# High To Next Command After Suspend   |      |      | 20   | μs    |
| t <sub>RS</sub>    | Latency Between Resume And Next Suspend  | 100  |      |      | μs    |
| t <sub>RST</sub>   | CS# High To Next Command After Reset (Except From Erase)   |      |      | 30   | μs    |
| t <sub>RST_E</sub> | CS# High To Next Command After Reset (From Erase)  |      |      | 12   | ms    |
| t <sub>W</sub>     | Write Status Register Cycle Time   |      | 5    | 20   | ms    |
| t <sub>BP1</sub>   | Byte Program Time( First Byte)   |      | 30   | 50   | μs    |
| t <sub>BP2</sub>   | Additional Byte Program Time (After First Byte)  |      | 2.5  | 12   | μs    |
| t <sub>PP</sub>    | Page Programming Time  |      | 0.4  | 2.4  | ms    |
| t <sub>SE</sub>    | Sector Erase Time  |      | 70   | 400  | ms    |
| t <sub>BE1</sub>   | Block Erase Time (32K Bytes)   |      | 0.16 | 0.8  | s     |



# 3.3V Uniform Sector Dual and Quad Serial Flash

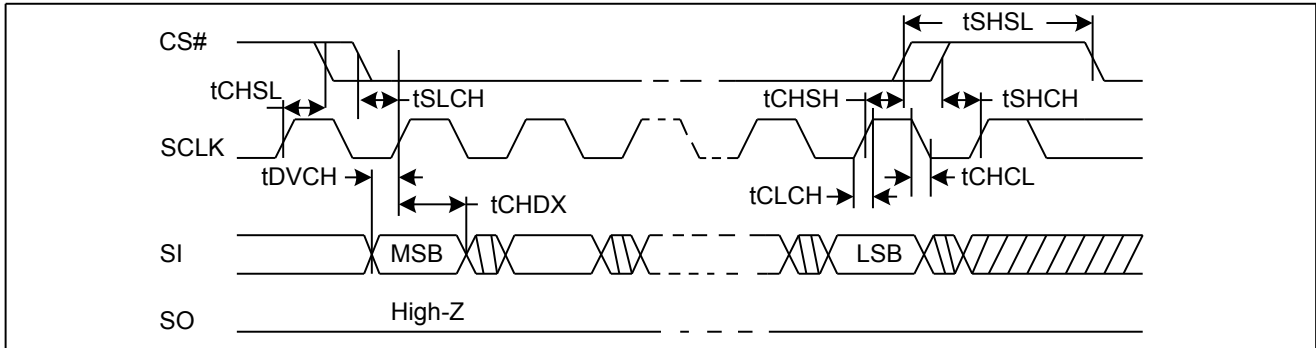
**GD25B256D**

|           |                              |  |      |     |   |
|-----------|------------------------------|--|------|-----|---|
| $t_{BE2}$ | Block Erase Time (64K Bytes) |  | 0.22 | 1   | s |
| $t_{CE}$  | Chip Erase Time (GD25B256D)  |  | 70   | 200 | s |

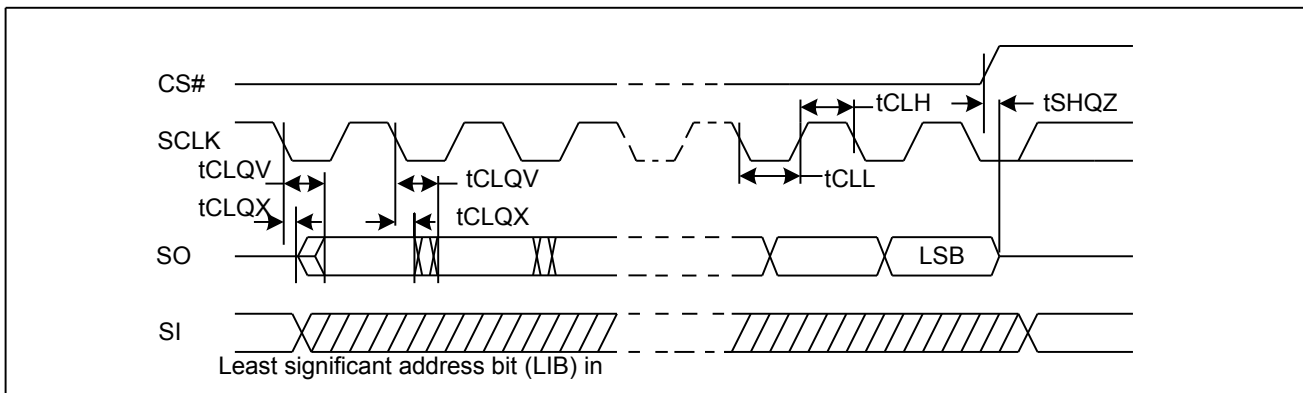
Note:

1. Typical value tested at  $T = 25^{\circ}\text{C}$ .
2. Value guaranteed by design and/or characterization, not 100% tested in production.

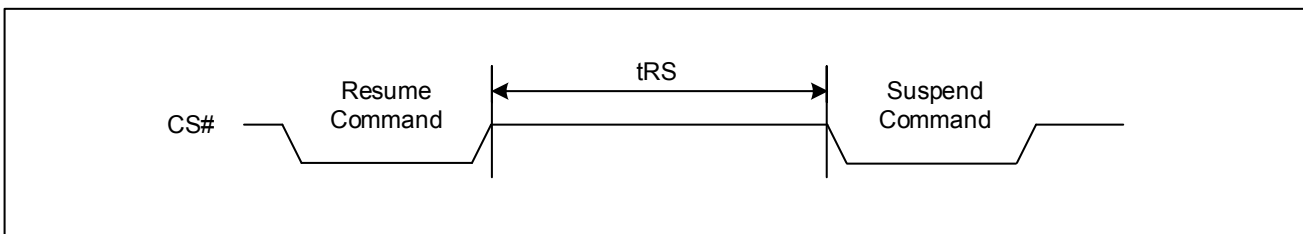
**Figure 76 Serial Input Timing**



**Figure 77 Output Timing**



**Figure 78. Resume to Suspend Timing Diagram**





### 9. ORDERING INFORMATION

GD XX XX XX X X X X X

**Packing**

T or no mark: Tube  
Y: Tray  
R: Tape and Reel

**Green Code**

G: Pb Free + Halogen Free Green Package  
S: Pb Free + Halogen Free Green Package + SRP1  
Function  
R: Pb Free + Halogen Free Green Package + RESET#  
Pin

**Temperature Range**

I: Industrial (-40°C to +85°C)

**Package Type**

F: SOP16 300mil  
Y: WSON8 (8x6mm)  
B: TFBGA-24ball (5x5 Ball Array)

**Generation**

D: D Version

**Density**

256: 256M bit

**Series**

B: 3V, 4KB Uniform Sector, QE=1 Permenently

**Product Family**

25: SPI Interface Flash



**9.1. Valid Part Numbers**

Please contact GigaDevice regional sales for the latest product selection and available form factors.

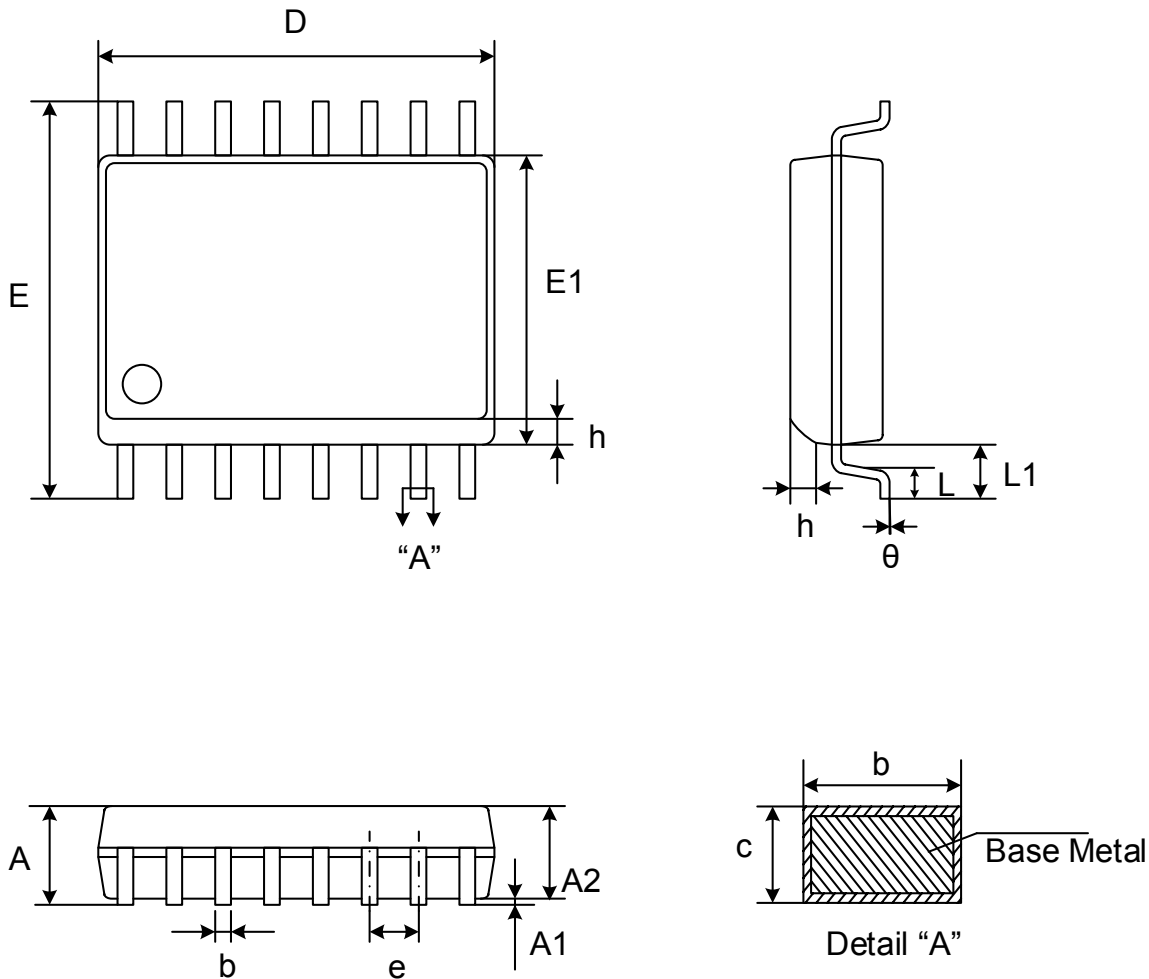
**Temperature Range I: Industrial (-40°C to +85°C)**

| <b>Product Number</b> | <b>Density</b> | <b>Package Type</b>           |
|-----------------------|----------------|-------------------------------|
| GD25B256DFIG          | 256Mbit        | SOP16 300mil                  |
| GD25B256DFIS          |                |                               |
| GD25B256DFIR          |                |                               |
| GD25B256DYIG          | 256Mbit        | WSON8 (8x6mm)                 |
| GD25B256DYIS          |                |                               |
| GD25B256DBIG          | 256Mbit        | TFBGA-24ball (5x5 Ball Array) |
| GD25B256DBIS          |                |                               |
| GD25B256DBIR          |                |                               |



## 10. PACKAGE INFORMATION

### 10.1. Package SOP16 300MIL



#### Dimensions

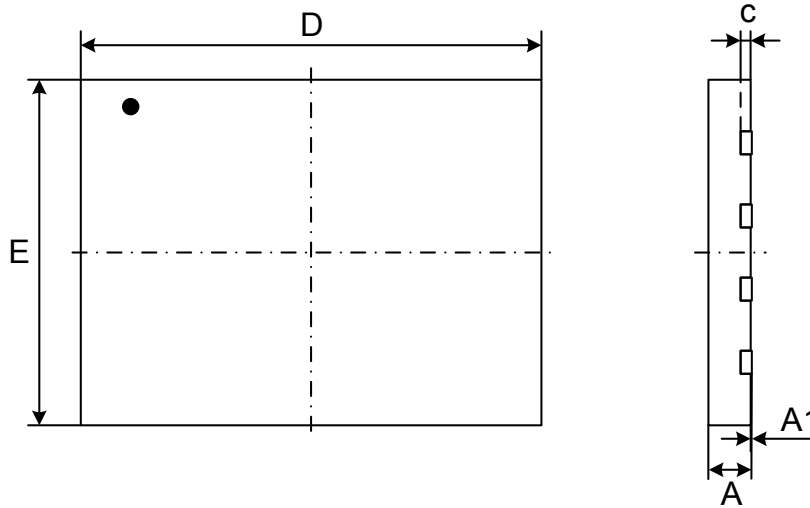
| Symbol | A   | A1   | A2   | b    | c    | D    | E     | E1    | e    | L    | L1   | h    | $\theta$ |   |   |
|--------|-----|------|------|------|------|------|-------|-------|------|------|------|------|----------|---|---|
| Unit   |     |      |      |      |      |      |       |       |      |      |      |      |          |   |   |
| mm     | Min | -    | 0.10 | 2.05 | 0.31 | 0.10 | 10.20 | 10.10 | 7.40 | 1.27 | 0.40 | 1.40 | 0.25     | 0 |   |
|        | Nom | -    | 0.20 | -    | 0.41 | 0.25 | 10.30 | 10.30 | 7.50 |      | -    |      | -        | - | - |
|        | Max | 2.65 | 0.30 | 2.55 | 0.51 | 0.33 | 10.40 | 10.50 | 7.60 |      | 1.27 |      | 0.75     | 8 |   |

Note:

- Both the package length and width do not include the mold flash.
- Seating plane: Max. 0.1mm.

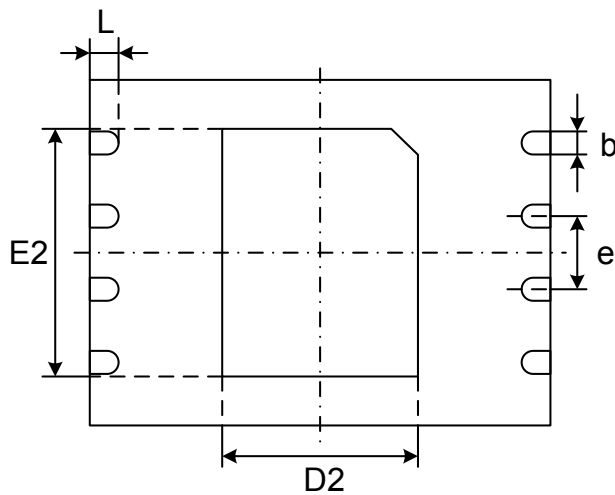


10.2. Package WSON8 (8\*6mm)



Top View

Side View



Bottom View

Dimensions

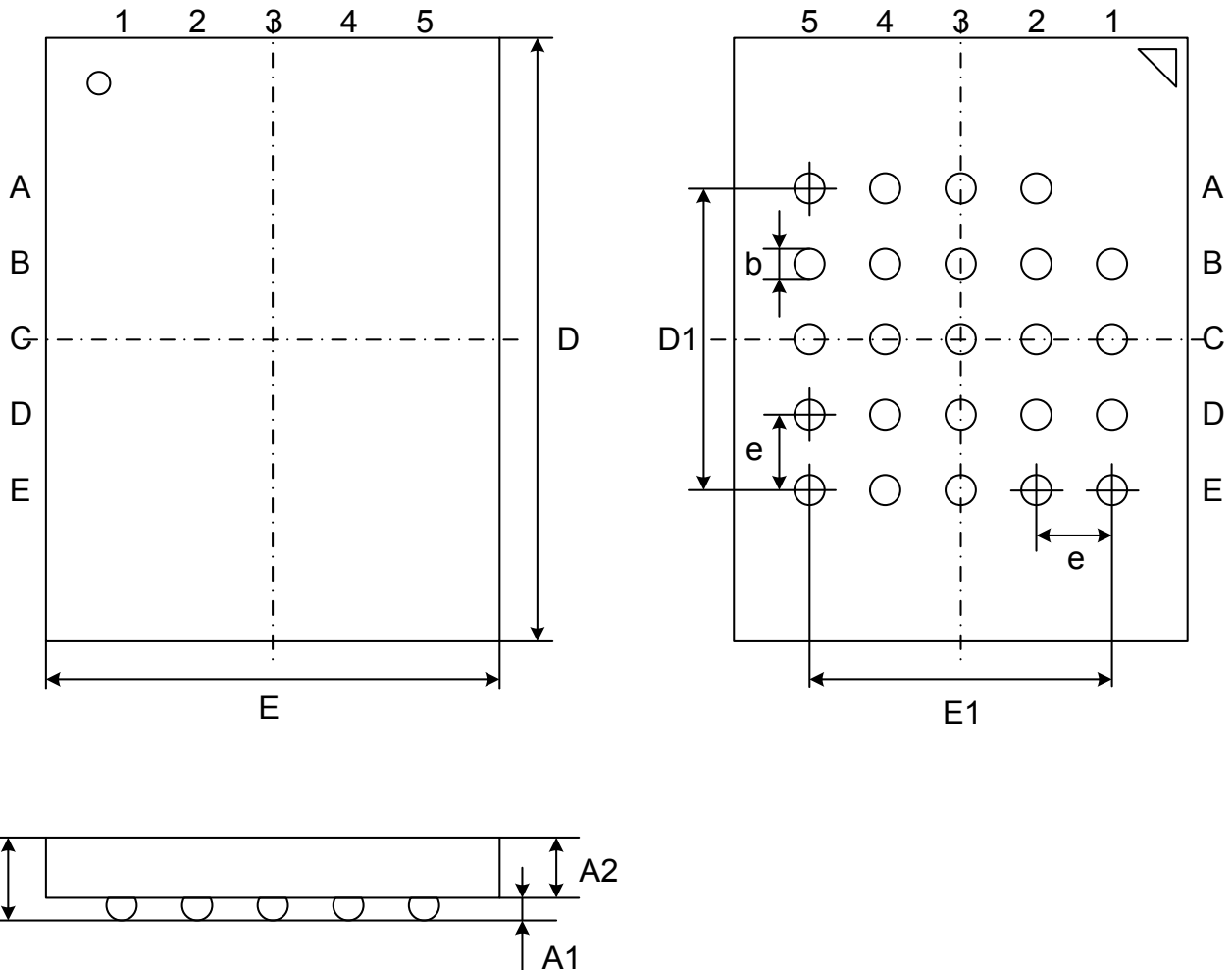
| Symbol |     | A    | A1   | c     | b    | D    | D2   | E    | E2   | e    | L    |
|--------|-----|------|------|-------|------|------|------|------|------|------|------|
| Unit   |     |      |      |       |      |      |      |      |      |      |      |
| mm     | Min | 0.70 | 0.00 | 0.180 | 0.35 | 7.90 | 3.30 | 5.90 | 4.20 | 1.27 | 0.45 |
|        | Nom | 0.75 | 0.02 | 0.203 | 0.40 | 8.00 | 3.40 | 6.00 | 4.30 |      | 0.50 |
|        | Max | 0.80 | 0.05 | 0.250 | 0.45 | 8.10 | 3.50 | 6.10 | 4.40 |      | 0.55 |

Note:

1. Both the package length and width do not include the mold flash.
2. The exposed metal pad area on the bottom of the package is floating.
3. Coplanarity  $\leq 0.08\text{mm}$ . Package edge tolerance  $\leq 0.10\text{mm}$ .
4. The lead shape may be of little difference according to different package lead frames. These lead shapes are compatible with each other.



10.3. Package TFBGA-24BALL (5\*5 ball array)



Dimensions

| Symbol |     | A    | A1   | A2   | b    | E    | E1   | D    | D1   | e    |
|--------|-----|------|------|------|------|------|------|------|------|------|
| Unit   |     |      |      |      |      |      |      |      |      |      |
| mm     | Min |      | 0.25 | 0.75 | 0.35 | 5.90 | 4.00 | 7.90 | 4.00 | 1.00 |
|        | Nom |      | 0.30 | 0.80 | 0.40 | 6.00 |      | 8.00 |      |      |
|        | Max | 1.20 | 0.35 | 0.85 | 0.45 | 6.10 |      | 8.10 |      |      |

Note: Both the package length and width do not include the mold flash.





**11. REVISION HISTORY**

| Version No. | Description   | Page  | Date       |
|-------------|---|---|------------|
| 1.0         | Initial Release   | All   | 2017-9-18  |
| 1.1         | Modify the note of EA0 in Table 12 from “Non-volatile writable” to “Volatile writable”.<br>Modify SFDP: content of 5BH and 94H Addr.<br>Modify general diagram and pin description  | P14<br>P65<br>P5-6  | 2017-9-30  |
| 1.2         | Modify SFDP: 1 <sup>st</sup> code in 94H Addr. from 0b/1b to 1b<br>Modify SFDP: 6 <sup>th</sup> code in 99H Addr. from 0b/1b to 1b<br>Add “R” to the 8 <sup>th</sup> code of Ordering Information   | P67<br>P67<br>P75-76  | 2017-11-2  |
| 1.3         | Add 5AH command in Table 13<br>Modify the description of C8H command<br>Modify the description of C5H command<br>Modify the description of all packages<br>Modify SFDP: the value of 94H Addr.  | P17<br>P22<br>P23<br>P78-80<br>P68                          | 2017-12-18 |
| 1.4         | Modify the note of QE bit<br>Modify lcc1 typ. value from 15uA to 12uA<br>Modify tVSL min. value from 5ms to 2.5ms<br>Modify tw typ. value from 1ms to 5ms<br>Add tRS, of which the min value is 100us<br>Modify tPP typ. value from 0.6ms to 0.4ms<br>Modify tBE1 typ. value from 0.2s to 0.16s<br>Modify tBE2 typ. value from 0.3s to 0.22s<br>Modify tCE from 100-240s to 70-200s | P11<br>P73<br>P71<br>P74<br>P74<br>P74<br>P74<br>P74<br>P74 | 2018-7-4   |
| 1.5         | Modify Sequence Diagrams of 42H command<br>Update Ordering Information  | P58<br>P76  | 2019-2-19  |
| 1.6         | Modify the description of DRV bits  | P14   | 2019-4-17  |
| 1.7         | Update LOGO   | All   | 2020-6-12  |



## Important Notice

This document is the property of GigaDevice Semiconductor (Beijing) Inc. and its subsidiaries (the "Company"). This document, including any product of the Company described in this document (the "Product"), is owned by the Company under the intellectual property laws and treaties of the People's Republic of China and other jurisdictions worldwide. The Company reserves all rights under such laws and treaties and does not grant any license under its patents, copyrights, trademarks, or other intellectual property rights. The names and brands of third party referred thereto (if any) are the property of their respective owner and referred to for identification purposes only.

The Company makes no warranty of any kind, express or implied, with regard to this document or any Product, including, but not limited to, the implied warranties of merchantability and fitness for a particular purpose. The Company does not assume any liability arising out of the application or use of any Product described in this document. Any information provided in this document is provided only for reference purposes. It is the responsibility of the user of this document to properly design, program, and test the functionality and safety of any application made of this information and any resulting product. Except for customized products which has been expressly identified in the applicable agreement, the Products are designed, developed, and/or manufactured for ordinary business, industrial, personal, and/or household applications only. The Products are not designed, intended, or authorized for use as components in systems designed or intended for the operation of weapons, weapons systems, nuclear installations, atomic energy control instruments, combustion control instruments, airplane or spaceship instruments, traffic signal instruments, life-support devices or systems, other medical devices or systems (including resuscitation equipment and surgical implants), pollution control or hazardous substances management, or other uses where the failure of the device or Product could cause personal injury, death, property or environmental damage ("Unintended Uses"). Customers shall take any and all actions to ensure using and selling the Products in accordance with the applicable laws and regulations. The Company is not liable, in whole or in part, and customers shall and hereby do release the Company as well as its suppliers and/or distributors from any claim, damage, or other liability arising from or related to all Unintended Uses of the Products. Customers shall indemnify and hold the Company as well as its suppliers and/or distributors harmless from and against all claims, costs, damages, and other liabilities, including claims for personal injury or death, arising from or related to any Unintended Uses of the Products. Customers shall discard the device according to the local environmental law.

**Information in this document is provided solely in connection with the Products. The Company reserves the right to make changes, corrections, modifications or improvements to this document and the Products and services described herein at any time, without notice.**